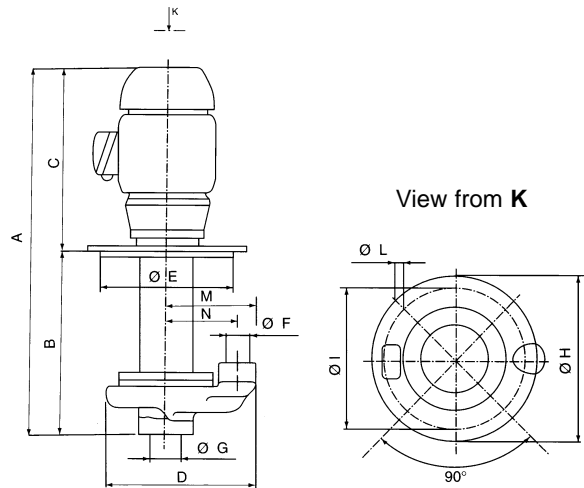


▶ TYPE AP ELECTRIC PUMPS HIGH PRESSURE RANGE

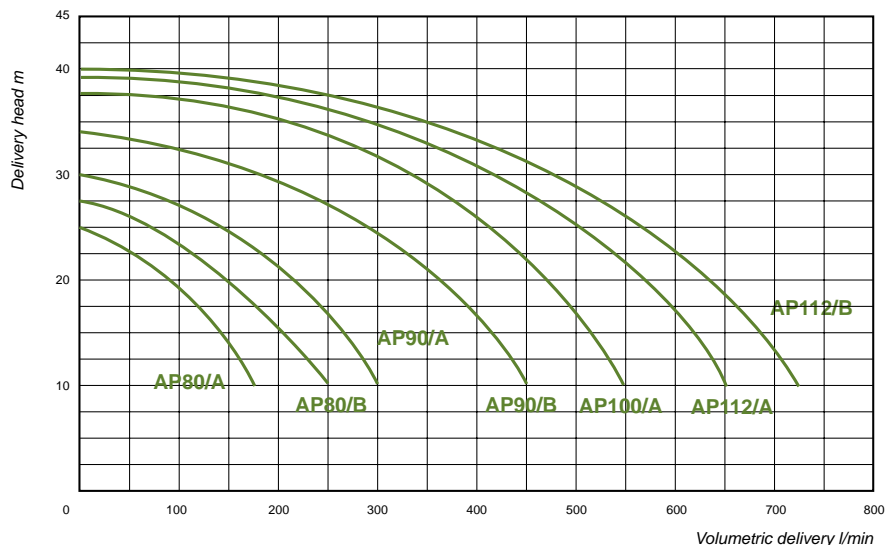


MECHANICAL FEATURES

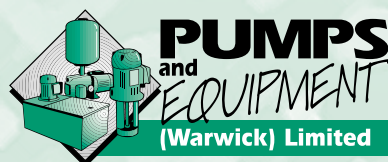
Pump BodyCast Iron
 CoverCast Iron
 ImpellerCast Iron
 ShaftSteel
 MechanicalCarbon

MOTOR CHARACTERISTICS

ProtectionIP55
 InsulationCL. F
 VoltageEurovoltage 3PH
 Frequency50Hz



TYPE	KW Absorbed	HP	AMPS 400 V	A mm	B mm	C mm	ØD mm	ØE mm	ØF BSP	ØG BSP	ØH mm	ØI mm	ØL mm	M mm	N mm	WEIGHT Kg
AP 80/A	1.97	2.63	2.9	600	320	280	280	240	1 1/4"	2"	300	270	13	170	136	36.0
				730	450											42.0
				890	610											44.0
				1080	800											46.0
AP 80/B	2.19	2.93	3.2	600	320	280	280	240	1 1/4"	2"	300	270	13	170	136	37.0
				730	450											43.0
				890	610											45.0
				1080	800											47.0
AP 90/A	2.08	2.78	5.4	660	320	340	280	240	1 1/4"	2"	300	270	13	170	136	41.0
				790	450											47.0
				950	610											49.0
				1140	800											51.0
AP 90/B	3.60	4.82	6.2	660	320	340	280	240	1 1/2"	2 1/2"	300	270	13	170	136	43.0
				790	450											49.0
				950	610											51.0
				1140	800											53.0
AP 100/A	4.43	5.93	8.4	700	320	380	280	240	1 1/2"	2 1/2"	300	270	13	170	136	48.0
				830	450											54.0
				990	610											56.0
				1180	800											58.0
AP 112/A	5.50	7.37	11.0	730	320	410	280	240	1 1/2"	2 1/2"	300	270	13	170	136	59.0
				860	450											65.0
				1020	610											67.0
				1210	800											69.0
AP 112/B	6.00	8.00	12.2	730	320	410	320	240	2"	2 1/2"	300	270	13	190	145	61.0
				860	450											67.0
				1020	610											69.0
				1210	800											71.0



6 Collins Road, Heathcote Industrial Estate, Warwick CV34 6TF United Kingdom.
telephone: 01926 451744 **fax:** 01926 451284
e-mail: sales@pumps-equip.co.uk **web:** www.pumps-equip.co.uk