

▶ AU Range ELECTRIC PUMPS - SELF-PRIMING RANGE

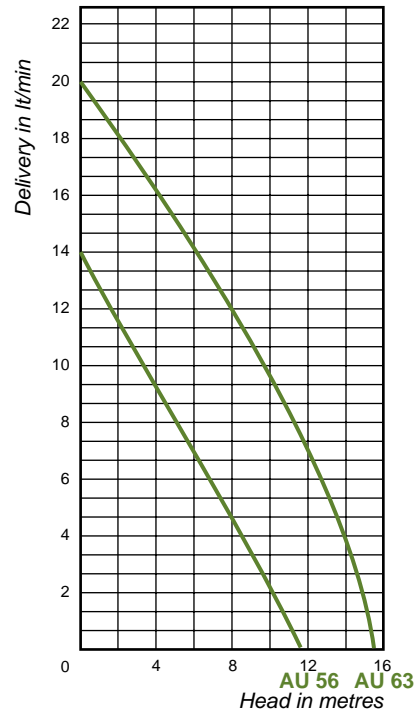
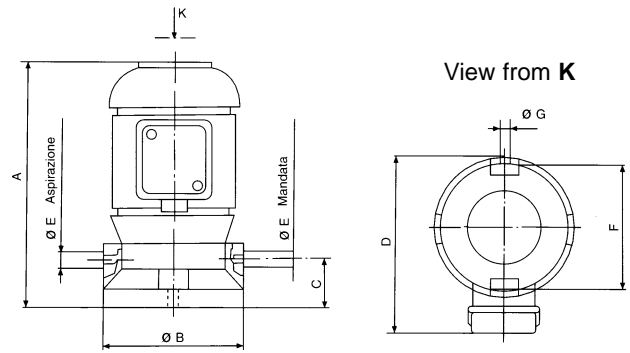


MECHANICAL FEATURES

Pump BodyAluminium
ImpellerBronze

MOTOR CHARACTERISTICS

ProtectionIP55
InsulationCL. F
Voltage.....Eurovoltage 3PH & 1PH
Frequency.....50Hz



TYPE	KW Absorbed	HP	AMPS 400V	A mm	ØB mm	C mm	D mm	ØE mm	ØF mm	ØG mm	WEIGHT kg
AU 56	0.16	0.21	0.55	208	115	48	144	3/8" BSP	95	7	3.9
AU 63	0.30	0.40	0.58	215	130	48	144	1/2" BSP	95	7	4.9



6 Collins Road, Heathcote Industrial Estate, Warwick CV34 6TF United Kingdom.
telephone: 01926 451744 **fax:** 01926 451284
e-mail: sales@pumps-equip.co.uk **web:** www.pumps-equip.co.uk