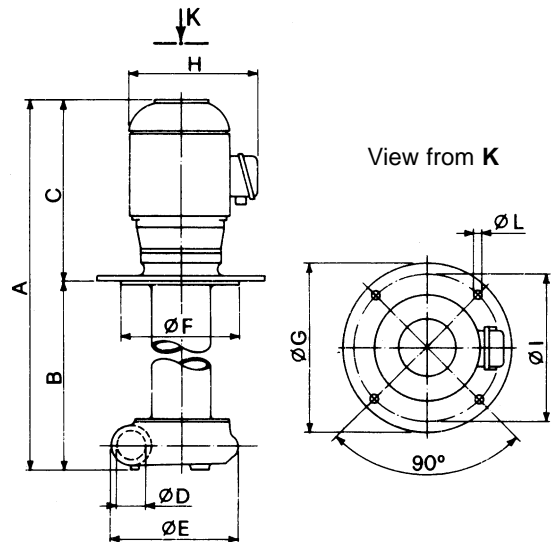


► Immersion Range IMM 100/B

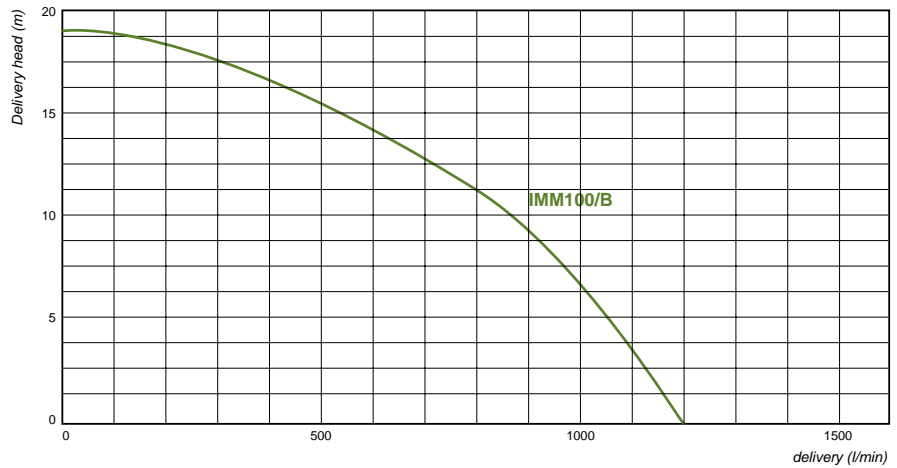


MECHANICAL FEATURES

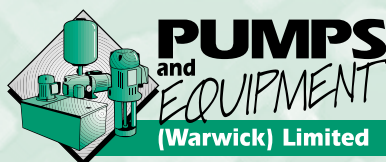
Pump BodyCast Iron
 CoverCast Iron
 ImpellerCast Iron
 ShaftSteel

MOTOR CHARACTERISTICS

ProtectionIP55
 InsulationCL. F
 VoltageEurovoltage 3PH
 Frequency50Hz



TYPE	KW Absorbed	AMPS 400 V	A mm	B mm	C mm	ØD mm	ØE mm	ØF BSP	ØG BSP	ØH mm	ØI mm	ØL mm	n° L	WEIGHT Kg
IMM 100/B	4.43	8.6	730	350	380	21/2"	235	240	300	240	270	13	4	53.0
	4.43	8.6	980	600	380	21/2"	235	240	300	240	270	13	4	54.3
	4.43	8.6	1180	800	380	21/2"	235	240	300	240	270	13	4	55.5



6 Collins Road, Heathcote Industrial Estate, Warwick CV34 6TF United Kingdom.
telephone: 01926 451744 **fax:** 01926 451284
e-mail: sales@pumps-equip.co.uk **web:** www.pumps-equip.co.uk