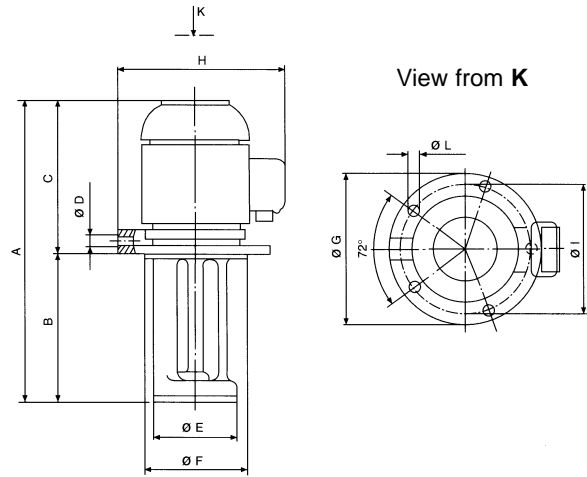
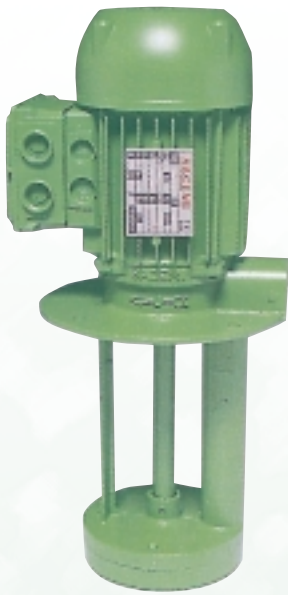


► Immersion Range IMM 63/A - 63/B

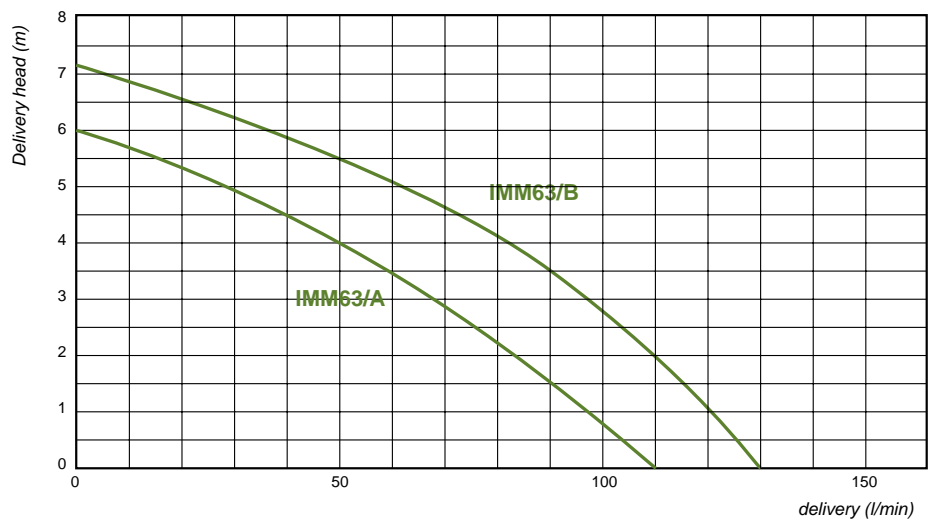


MECHANICAL FEATURES

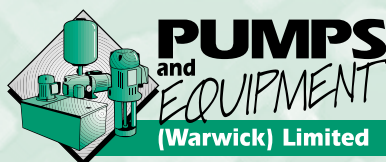
Pump Body Cast Aluminium
 Cover Valox
 Impeller Valox
 Shaft Steel
On Request:
 Shaft Stainless Steel

MOTOR CHARACTERISTICS

Protection IP55
 Insulation CL. F
 Voltage Eurovoltage 3PH & 1PH
 Frequency 50Hz



ØL	n° L	WEIGHT	TYPE		KW	AMPS	A	B	C	ØD	ØE	ØF	ØG	ØH ØI
IMM 63/A	Absorbed	400 V	mm	mm	mm	mm	mm	BSP	BSP	mm	mm	mm		Kg
	0.30	0.58	355	150	215	3/4"	125	130	180	190	150	9	4	5.00
	0.30	0.58	415	200	215	3/4"	125	130	180	190	150	9	4	5.20
	0.30	0.58	465	250	215	3/4"	125	130	180	190	150	9	4	5.35
IMM 63/B	0.30	0.58	515	300	215	3/4"	125	130	180	190	150	9	4	5.60
	0.40	0.90	365	150	215	3/4"	125	130	180	190	150	9	4	5.50
	0.40	0.90	415	200	215	3/4"	125	130	180	190	150	9	4	5.70
	0.40	0.90	465	250	215	3/4"	125	130	180	190	150	9	4	5.90



6 Collins Road, Heathcote Industrial Estate, Warwick CV34 6TF United Kingdom.
telephone: 01926 451744 **fax:** 01926 451284
e-mail: sales@pumps-equip.co.uk **web:** www.pumps-equip.co.uk