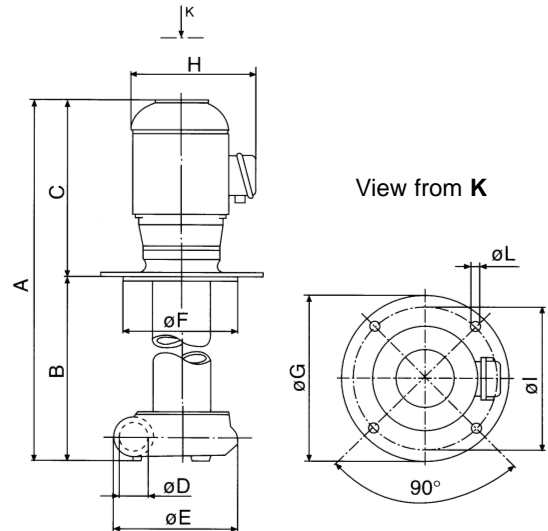


# ► Immersion Range IMM 90/A - 90/B

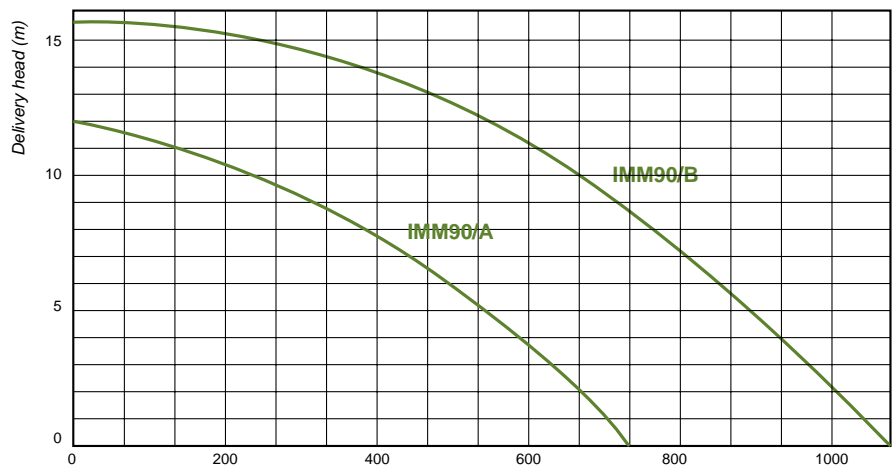


## MECHANICAL FEATURES

Pump Body .....Cast Iron  
 Cover .....Cast Iron  
 Impeller .....Cast Iron  
 Shaft .....Steel

## MOTOR CHARACTERISTICS

Protection .....IP55  
 Insulation .....CL. F  
 Voltage .....Eurovoltage 3PH  
 Frequency .....50Hz



TYPE	KW Absorbed	AMPS 400 V	A mm	B mm	C mm	ØD mm	ØE mm	ØF BSP	ØG BSP	ØH mm	ØI mm	ØL mm	n° L	WEIGHT Kg
IMM 90/A	1.85	5.0	670	350	320	2"	235	240	300	240	270	13	4	47.5
	1.85	5.0	920	600	320	2"	235	240	300	240	270	13	4	48.8
	1.85	5.0	1120	800	320	2"	235	240	300	240	270	13	4	50.0
IMM 90/B	2.80	6.2	695	350	345	2"	235	240	300	240	270	13	4	49.0
	2.80	6.2	945	600	345	2"	235	240	300	240	270	13	4	50.3
	2.80	6.2	1145	800	345	2"	235	240	300	240	270	13	4	51.5



6 Collins Road, Heathcote Industrial Estate, Warwick CV34 6TF United Kingdom.  
**telephone:** 01926 451744 **fax:** 01926 451284  
**e-mail:** sales@pumps-equip.co.uk **web:** www.pumps-equip.co.uk