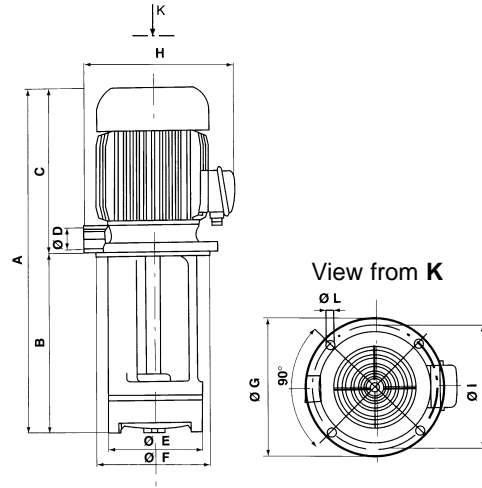


► SP Range 50/75/100/150 Din 5440

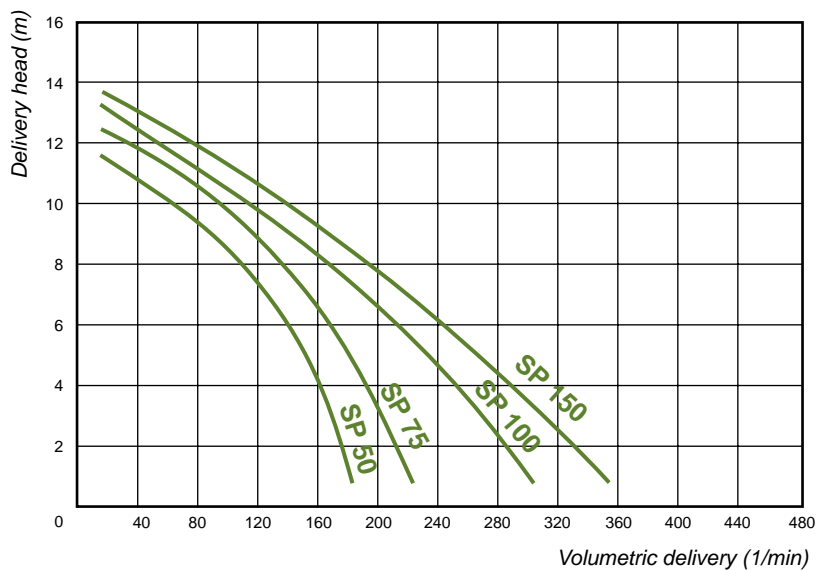


MECHANICAL FEATURES

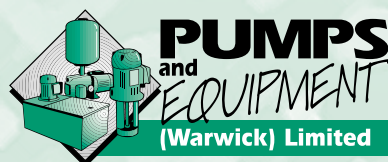
Pump BodyCast Iron
 Cover.....Valox
 ImpellerValox
 ShaftSteel
On Request:
 Shaft.....Stainless Steel

MOTOR CHARACTERISTICS

ProtectionIP55
 InsulationCL. F
 Voltage.....Eurovoltage 3PH & 1PH
 Frequency.....50Hz



TYPE	KW Absorbed	HP	AMPS 400 V	A mm	B mm	C mm	D mm	ØE mm	ØF mm	ØG mm	H mm	ØI mm	ØL mm	N°L mm	Weight kg
SP 50	0.53	0.71	1.4	460	200	260	1" BSP	138	140	180	215	160	7	4	13.55
				530	270										14.25
				610	350										15.05
				700	440										15.95
				810	550										17.05
SP 75	0.78	1.04	1.9	460	200	260	1" BSP	138	140	180	215	160	7	4	14.50
				530	270										15.20
				610	350										16.00
				700	440										16.90
				810	550										18.00
SP 100	1.15	1.54	1.9	500	200	300	1 1/4" BSP	138	140	180	230	160	7	4	16.30
				570	270										17.10
				650	350										18.06
				740	440										19.10
				850	550										20.35
SP 150	1.47	1.96	2.8	500	200	300	1 1/4" BSP	138	140	180	230	160	7	4	17.60
				570	270										18.40
				650	350										19.30
				740	440										20.70
				850	550										21.90



6 Collins Road, Heathcote Industrial Estate, Warwick CV34 6TF United Kingdom.
telephone: 01926 451744 **fax:** 01926 451284
e-mail: sales@pumps-equip.co.uk **web:** www.pumps-equip.co.uk