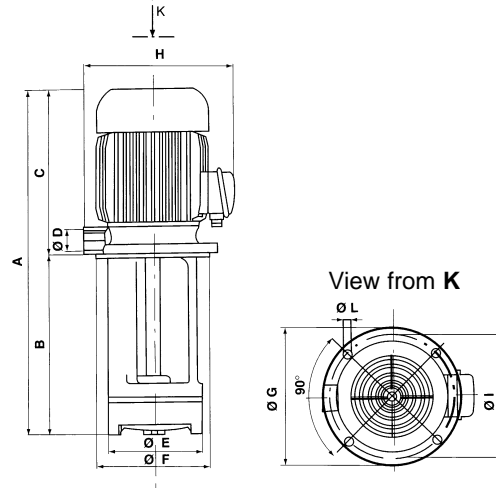


# ► SPV Range DIN 5440

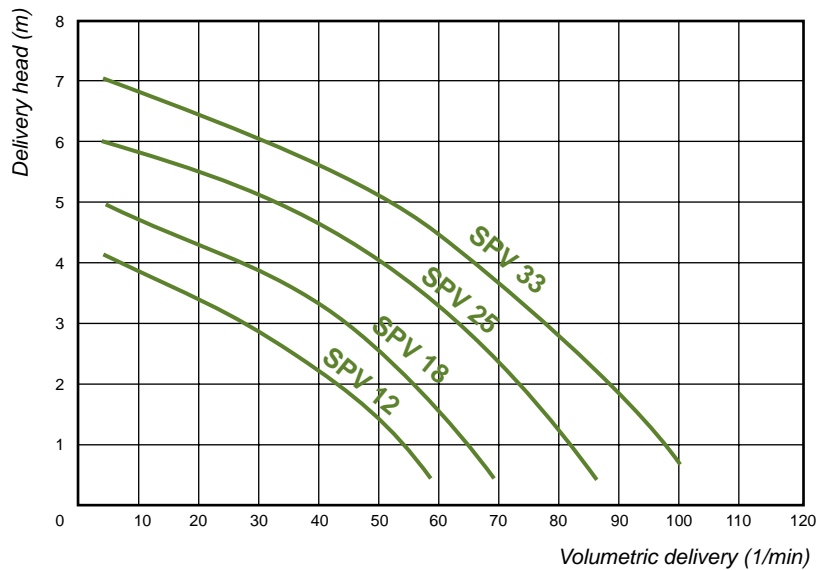


## MECHANICAL FEATURES

Pump Body.....Valox  
 Cover.....Valox  
 Impeller.....Valox  
 Shaft.....Steel  
**On Request:**  
 Shaft.....Stainless Steel

## MOTOR CHARACTERISTICS

Protection.....IP55  
 Insulation.....CL. F  
 Voltage.....Eurovoltage 3PH & 1PH  
 Frequency.....50Hz  
 Terminal Box Gland.....PG11



TYPE	KW Absorbed	HP	AMPS 400 V	A mm	B mm	C mm	D BSP	ØE mm	ØF mm	ØG mm	H mm	ØI mm	ØL mm	No. L mm	WEIGHT Kg
SPV 12	0.15	0.20	0.32	255	90	165	3/4"	98	100	130	151	115	7	4	2.80
				285	120										2.87
				335	170										2.95
				385	220										3.05
				435	270										3.15
				515	350										3.30
SPV 18	0.16	0.24	0.55	255	90	165	3/4"	98	100	130	151	115	7	4	2.85
				285	120										2.95
				335	170										3.00
				385	220										3.10
				435	270										3.20
				515	350										3.35
SPV 25	0.30	0.40	0.58	300	90	210	3/4"	98	100	130	170	115	7	4	6.56
				330	120										6.84
				380	170										7.06
				430	220										7.24
				480	270										7.52
				560	350										8.08
SPV 33	0.40	0.53	0.90	300	90	210	3/4"	98	100	130	170	115	7	4	7.06
				330	120										7.34
				380	170										7.56
				430	220										7.74
				480	270										8.02
				560	350										8.58



6 Collins Road, Heathcote Industrial Estate, Warwick CV34 6TF United Kingdom.  
**telephone:** 01926 451744 **fax:** 01926 451284  
**e-mail:** sales@pumps-equip.co.uk **web:** www.pumps-equip.co.uk