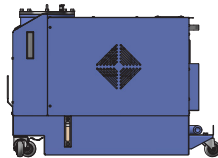
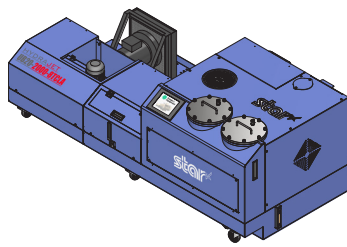
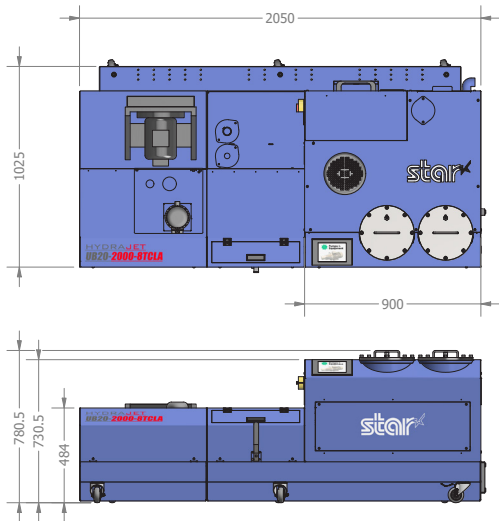




HYDRAJET UB20-2000-8TCLA



- | | |
|-------------------------------|-----------------|
| - Inlet Pressure - | Flooded Suction |
| - Maximum Pressure - | 140 Bar |
| - Maximum Flow - | 20 Litres |
| - Tank Volume (Coolant)- | 175 Litres |
| - Tank Volume (Lubrication)- | 80 Litres |
| - RPM - | 1420 |
| - Voltage - | 415V |
| - Power - | 16 Amps |
| - Kilowatts - | 8KW |
| - Twin Filters - | 10 µm (micron) |
| - Outlets - | 8x |
| - Weight (empty) - | 400kg |
| - Integrated Control Panel - | |
| - Integral Filter Feed Pump - | |

Options:

- Auto Filter Changeover -
- Variable Speed -
- Sub-Spindle Output -



**Pumps &
Equipment**

DESIGNERS OF HIGH-PRESSURE SYSTEMS
www.pumps-equip.co.uk

Sales@pumps-equip.co.uk (01926) 451744