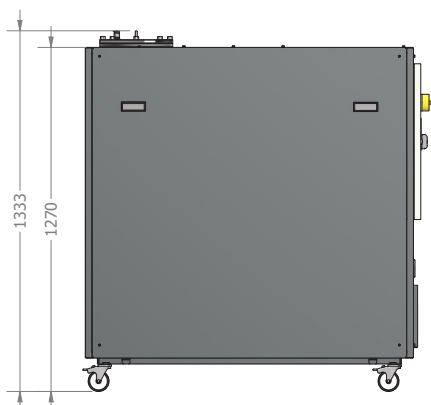
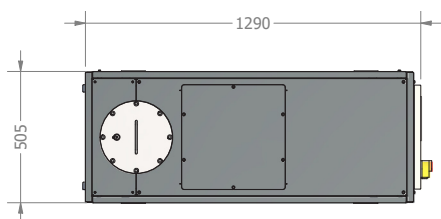




# HYDRAJET MHP30-1000-3

MHP30-1000-3  
Footprint



- Inlet Pressure - Flooded Suction
- Maximum Pressure - 70 Bar
- Maximum Flow - 30 Litres
- Tank Volume - 100 Litres
- RPM - 1420
- Voltage - 415V
- Power - 15 Amps
- Kilowatts - 7KW
- Single Filter - 10 µm (micron)
- Outlets - 3x
- Integrated Control Panel
- Integral Filter Feed Pump



DESIGNERS OF HIGH-PRESSURE SYSTEMS

[www.pumps-equip.co.uk](http://www.pumps-equip.co.uk)

Sales@pumps-equip.co.uk (01926) 451744