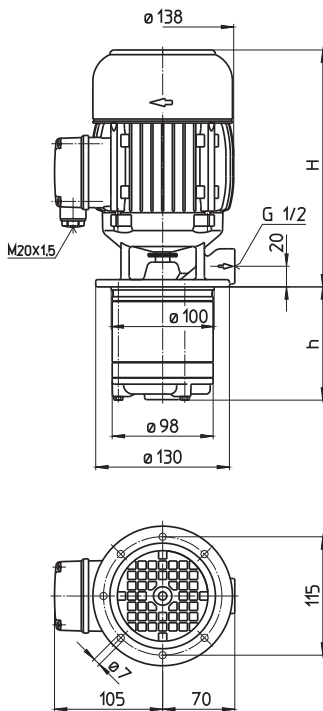
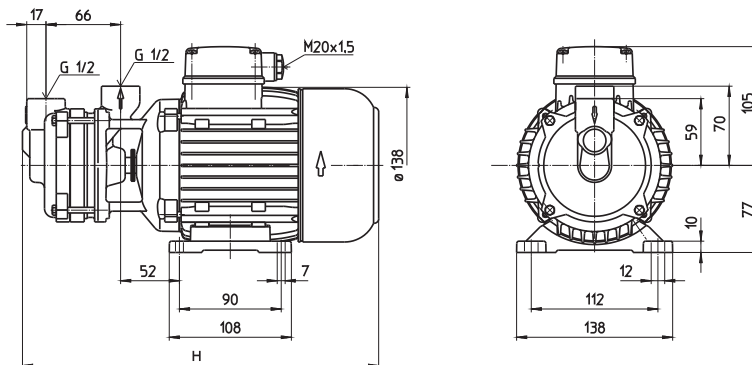


B401...501 Immersion Version



B401...501 Base-mounted Version



Type	Vol. del. at manom. del. head l/min /m	h mm	Weight kg	Power kW	Voltage 3 ~ V	Fre- quency Hz	Rated current A	Speed 1/min
B401/110	10/30	110	9	0.63	220-240 380-420	50	2.6	2750
B401-F		67					1.5	2750
B501/110	10/45	110	11	0.85	220-240 380-420	50	4.3	2800
B501-F		67					2.5	2800

Miniature centrifugal pumps

Peripheral impellers

B401-501

Miniature Centrifugal Pumps

Series B401 ...501 are suitable for pumping **clean fluids** up to 140° C temperature and 5 bar system-pressure.

For open circuits see immersion pumps TS12...24.

The minimum liquid level for immersion pumps of the B-series installed vertically must reach the lower impeller.

Applications

Types of fluid
water up to 140° C at 5 bar system-pressure
Pumping temperature
...+ 140° C

Construction

Pump body	bronze
Cover	bronze
Impeller	brass
Shaft	Cr-steel

Optional:	
Cover	CrNi-steel
Impeller	CrNi-steel

Noise level	
B401...B501	65 dBA

