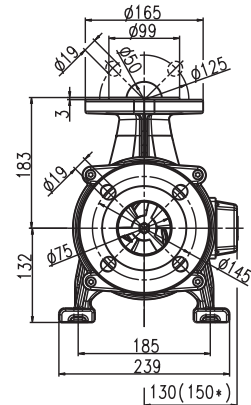
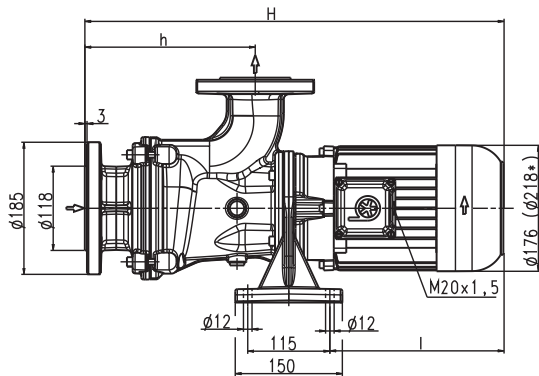
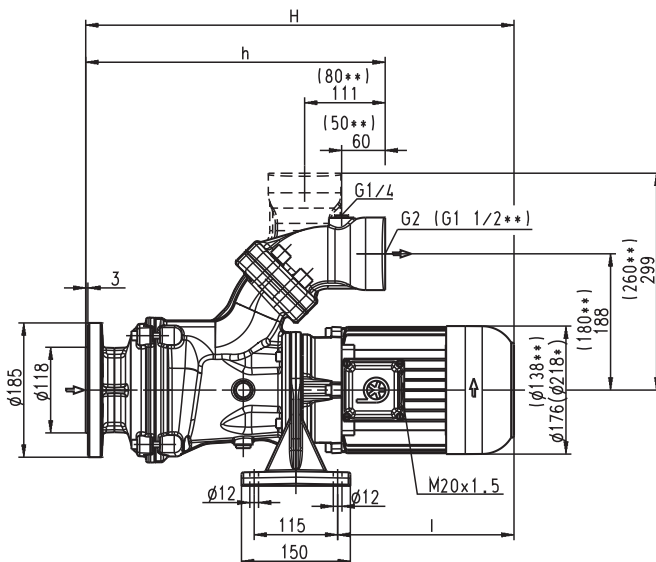


BFL650...1150

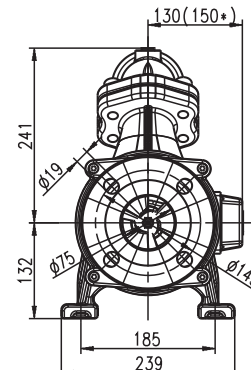
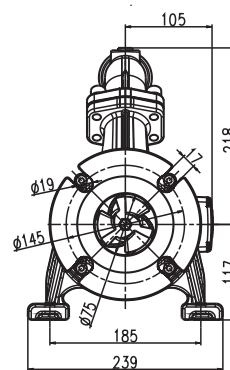


SBF550...1150



SBF550

SBF650, 850, 1150



*) Dimensions for BFL/SBF1150

**) Dimensions for SBF550

Type	Vol. del. at manom. del. head l/min /m	Dimensions H mm	h mm	Length l mm	Weight kg	Power kW	Voltage 3 ~ V	Fre- quency Hz	Rated current A	Speed 1/min
SBF550	250/4	494	359	181	26.5	1.1	220-240 380-420 460	50 50 60	5.0 2.9 2.9	2700 2700 3300
BFL650 SBF650	400/7	586	239 408	243	49 52	2.2	220-240 380-420 460	50 50 60	9.2 5.3 5.3	2850 2850 3400
BFL850 SBF850	500/10	600	243 412	253	51 54	2.6	220-240 380-420 460	50 50 60	10.9 6.3 6.3	2850 2850 3400
BFL1150 SBF1150	600/13	640	243 412	293	58 61	4.0	220-240 380-420 460	50 50 60	16.5 9.5 9.5	2900 2900 3450



Horizontal end-suction pumps

Axial/semi-open impellers

BFL/SBF550-1150

Horizontal End-Suction Pumps

are centrifugal inline pumps with a compact design where the impeller is mounted onto the extended motor shaft.

These pumps are not self-priming and must be gravity fed. All pumps are equipped with a single mechanical seal.

Upon request a second mechanical seal is available to allow for dry-running (-GD). This pump series is designed for horizontal installations next to a tank and for pumping **air entrained coolant fluids**, such as **water-soluble coolants (emulsions)**, as they occur in **high speed machining applications, such as turning and milling**.

The SBF* pumps are equipped with the user-friendly 45 degree **flange** connection which allows for either vertical or horizontal pipe connection and the connection of a pressure gauge with G ¼.

*) SBF550 with SAE flange.

For more information see mechanical features within the technical information section.

Applications

Types of fluid

- water
- coolants
- cooling/cutting oils

Max. chip to coolant ratio by weight:

- 1.0 % depending on the specific chip type

Chip material:

- Aluminium, steel, coloured steels,
- cast iron

Kinematic viscosity

- ...45 mm²/s (45 cSt)

Pumping temperature

- 0...80° C

Construction

Pump body	cast iron
Cover	cast iron
Impeller axial	cast steel
Impeller radial	cast steel
Shaft	steel
Mechanical seal	SiC

Noise level

SBF550	62 dBA
BFL650...SBF850	66 dBA
BFL1150...SBF1150	71 dBA

