

		2-pole motor rotation speed 3500 RPM						4-pole motor rotation speed 1750 RPM					
Pressure max.	Flow at viscosity		Power consumption at viscosity		Motor immersion version	Motor foot mounted version	Weight	Flow at viscosity		Power consumption at viscosity		Motor	Weight
	1 mm <sup>2</sup> /s	20 mm <sup>2</sup> /s	1 mm <sup>2</sup> /s	20 mm <sup>2</sup> /s				1 mm <sup>2</sup> /s	20 mm <sup>2</sup> /s	1 mm <sup>2</sup> /s	20 mm <sup>2</sup> /s		
Type / bar	l/min	l/min	kW	kW	kW	kW	kg	l/min	l/min	kW	kW	kW	kg
<b>BFS 130/</b>	<b>Q<sub>Th</sub><sup>1)</sup> 18.8</b>	–	–	–	–	–	–	<b>Q<sub>Th</sub><sup>1)</sup> 9.4</b>	–	–	–	–	–
10	17.3	18.2	0.6	0.6	B 1.5	0.86	39	7.9	8.8	0.3	0.3	0.86	29
20	16.3	17.8	0.9	0.9	B 1.5	1.3	39	6.9	8.4	0.4	0.4	0.86	29
30	15.4	17.5	1.2	1.2	B 1.5	1.3	39	5.9	8.0	0.6	0.6	0.86	29
40	14.5	17.1	1.5	1.5	B 1.75	1.75	39	5.0	7.7	0.7	0.8	0.86	29
50	13.6	16.7	1.8	1.9	B 1.95	2.55	39	–	7.3	–	1.0	1.3	31
60	12.7	16.4	2.1	2.2	B 2.2	2.55	43	–	7.0	–	1.1	1.3	31
70	11.9	16.0	2.4	2.5	B 2.55	2.55	43	–	6.6	–	1.3	1.3	31
80	11.1	15.7	2.8	2.9	B 3.0	3.45	44	–	6.3	–	1.5	1.75	34
90	10.4	15.4	3.1	3.2	B 3.8	3.45	54	–	6.0	–	1.6	1.75	34
100	9.6	15.1	3.4	3.5	B 3.8	4.6	54	–	5.6	–	1.8	2.55	41
110	–	14.7	–	3.9	B 4.6	4.6	57	–	5.3	–	2.0	2.55	41
120	–	14.4	–	4.2	B 4.6	4.6	57	–	5.0	–	2.1	2.55	41
130	–	14.1	–	4.5	B 4.6	4.6	57	–	4.7	–	2.3	2.55	41
140	–	13.8	–	4.9	B 5.75	6.3	73	–	4.4	–	2.5	3.45	46
150	–	13.5	–	5.2	B 5.75	6.3	73	–	4.1	–	2.7	3.45	46
<b>BFS 140/</b>	<b>Q<sub>Th</sub><sup>1)</sup> 25.2</b>	–	–	–	–	–	–	<b>Q<sub>Th</sub><sup>1)</sup> 12.6</b>	–	–	–	–	–
10	23.1	24.4	0.7	0.7	B 1.5	0.86	39	10.5	11.8	0.3	0.4	0.86	29
20	21.8	23.9	1.1	1.2	B 1.5	1.3	39	9.2	11.3	0.5	0.6	0.86	29
30	20.6	23.4	1.5	1.6	B 1.75	1.75	39	8.0	10.7	0.7	0.8	0.86	29
40	19.5	22.9	1.9	2.0	B 2.2	2.55	43	6.8	10.2	0.9	1.0	1.3	31
50	18.4	22.4	2.4	2.5	B 2.55	2.55	43	–	9.8	–	1.2	1.3	31
60	17.3	21.9	2.8	2.9	B 3.0	3.45	44	–	9.3	–	1.5	1.75	34
70	16.4	21.4	3.2	3.3	B 3.8	3.45	54	–	8.8	–	1.7	1.75	34
80	15.4	20.9	3.6	3.8	B 3.8	4.6	54	–	8.3	–	1.9	2.55	41
90	14.6	20.5	4.0	4.2	B 4.6	4.6	57	–	7.9	–	2.1	2.55	41
100	13.8	20.0	4.5	4.7	B 5.75	6.3	73	–	7.4	–	2.3	2.55	41
110	–	19.6	–	5.1	B 5.75	6.3	73	–	7.0	–	2.5	3.45	46
120	–	19.2	–	5.5	B 5.75	6.3	73	–	6.5	–	2.7	3.45	46
130	–	18.7	–	6.0	B 6.3	6.3	73	–	6.1	–	2.9	3.45	46
140	–	18.3	–	6.4	B 8.6	8.6	81	–	5.7	–	3.1	3.45	46
150	–	17.9	–	6.9	B 8.6	8.6	81	–	5.3	–	3.4	4.6	53
<b>BFS 232/</b>	<b>Q<sub>Th</sub><sup>1)</sup> 31.5</b>	–	–	–	–	–	–	<b>Q<sub>Th</sub><sup>1)</sup> 15.8</b>	–	–	–	–	–
10	29.7	30.8	0.8	0.9	B 1.5	1.3	40	13.9	15.1	0.4	0.5	0.86	29
20	29.0	30.6	1.4	1.4	B 1.5	1.75	40	13.3	14.8	0.7	0.7	0.86	29
30	28.4	30.3	1.9	2.0	B 2.2	2.55	44	12.7	14.6	0.9	1.0	1.3	32
40	27.8	30.0	2.4	2.5	B 2.55	3.45	44	12.1	14.3	1.2	1.3	1.3	32
50	27.2	29.8	2.9	3.1	B 3.8	3.45	55	11.5	14.0	1.4	1.5	1.75	34
60	26.6	29.5	3.5	3.6	B 3.8	4.6	55	10.9	13.8	1.7	1.8	2.55	41
70	26.0	29.3	4.0	4.2	B 4.6	4.6	57	10.3	13.5	2.0	2.1	2.55	41
80	25.4	29.0	4.5	4.7	B 5.75	6.3	74	9.7	13.3	2.2	2.3	2.55	41
90	24.9	28.7	5.0	5.3	B 5.75	6.3	74	–	13.0	–	2.6	3.45	46
100	24.3	28.5	5.6	5.8	B 6.3	6.3	74	–	12.7	–	2.9	3.45	46
110	23.8	28.3	6.1	6.4	B 8.6	8.6	82	–	12.5	–	3.2	3.45	46
120	23.2	28.0	6.6	6.9	B 8.6	8.6	82	–	12.3	–	3.4	4.6	53
130	22.7	27.8	7.1	7.5	B 8.6	8.6	82	–	12.0	–	3.7	4.6	53
140	22.1	27.5	7.7	8.0	B 8.6	8.6	82	–	11.8	–	4.0	4.6	53
150	21.6	27.3	8.2	8.6	B 8.6	12.6	82	–	11.6	–	4.2	4.6	53

<sup>1)</sup> Q<sub>Th</sub>: Theoretical flow rate  
 High pressures (up to 200 bar) upon request

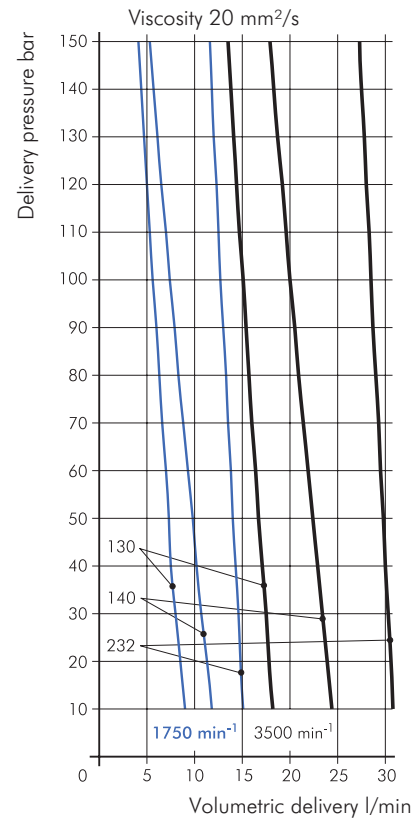
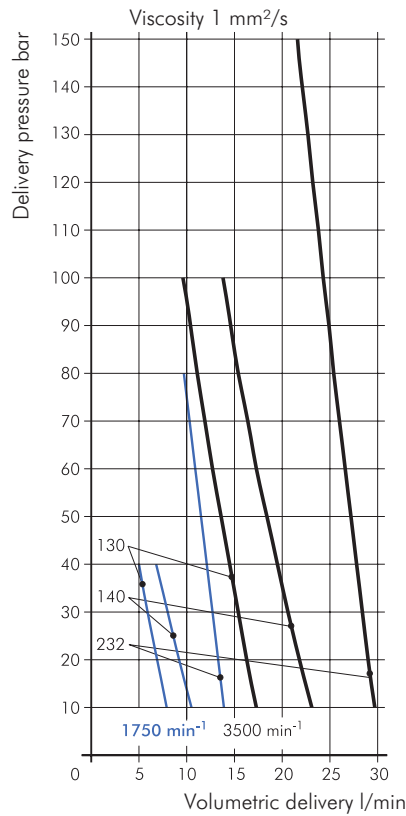
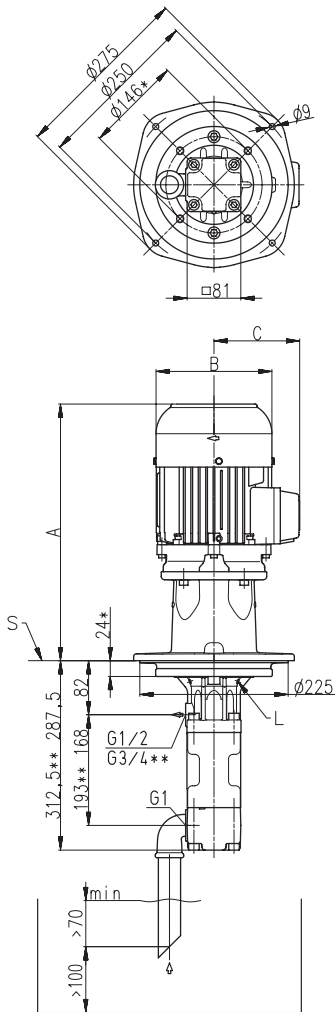


# High pressure pumps

## Screw spindles

# BFS/FFS 130 - 140 - 232

## 60 Hz



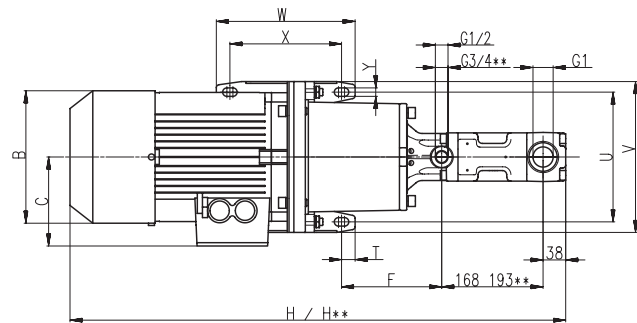
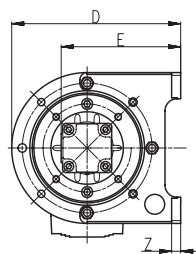
L = Leakage hole

S = Mounting plate, please find the cut-out of mounting hole on page 43.

\*) Dimensions for 4-pole standard motor upon request

\*\*\*) Dimensions for BFS2

Motor 2 pole kW	A mm	B mm	C mm
B 1.75	389	176	130
B 1.5 / 1.95	389	176	130
B 2.2 / 2.55	414	176	130
B 3.0	424	218	150
B 3.8 / 4.6	478	218	150
B 5.75 / 6.3	514	258	190
B 8.6	552	258	190



Dimensions  
H\*\* = H+25  
or see page 29

Motor 2 pole kW	Motor 4 pole kW	B mm	C mm	D mm	E mm	F mm	H mm	T mm	U mm	V mm	W mm	X mm	Y mm	Z mm
0.86	-	163	120	212	155	138	657	15.0	180	210	90	60	11	12
1.3	0.86	163	120	212	155	138	692	15.0	180	210	90	60	11	12
1.75	1.3	180	128	212	155	138	705	15.0	180	210	90	60	11	12
2.55	1.75	183	128	212	155	138	732	15.0	180	210	90	60	11	12
3.45	2.55	203	135	280	198	167	797	22.5	215	250	230	185	14	15
-	3.45	203	135	280	198	167	832	22.5	215	250	230	185	14	15
4.6	4.6	227	148	280	198	167	823	22.5	215	250	230	185	14	15
6.3	6.3	267	167	335	228	171	844	22.5	265	300	270	225	14	18
8.6	-	267	167	335	228	171	882	22.5	265	300	270	225	14	18

