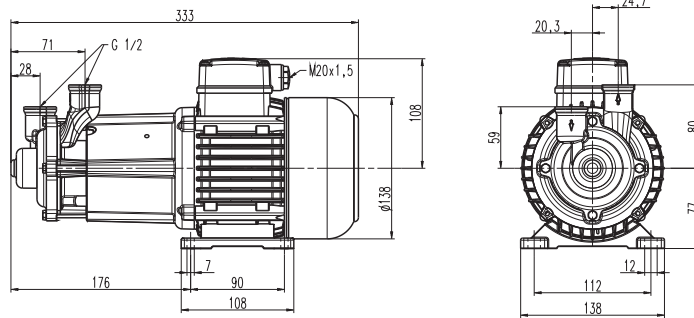
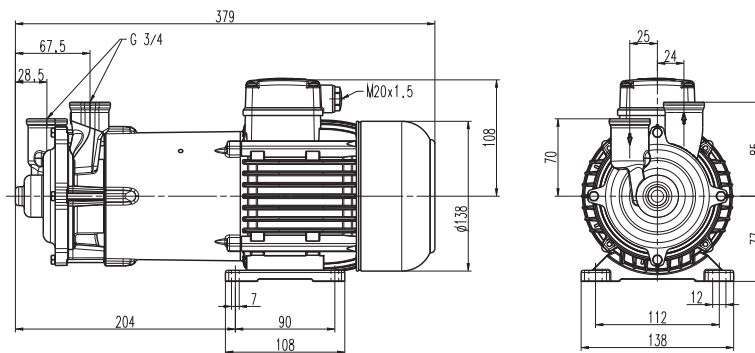


BMK3



BMK4



Type	Vol. del. at manom. del. head l/min / m	h mm	Weight kg	Power kW	Voltage 3 ~ V	Fre- quency Hz	Rated current A	Speed 1/min
BMK3	10/35	71	9	0.52	220-240 380-420 460	50 50 60	2.30 1.34 1.34	2750 2750 3400
BMK4	10/48	68	11.5	0.92	220-240 380-420 460	50 50 60	4.7 2.7 2.7	2700 2700 3300

Miniature centrifugal pumps

Peripheral impellers

BMK3-BMK4

Miniature Centrifugal Pumps

of the **BMK series** have been designed for **clean water circuits** of up to 160 degree C fluid temperature and up to **7 bar** of system pressure.

The pumps are equipped with a magnetic coupling. The pumps can be mounted vertically or horizontally. The specific design allows the pumps to operate wear poor.

Applications

Types of fluid
water up to 160° C at 7 bar system-pressure

Construction

Pump body	CrNi-steel
Cover	CrNi-steel
Impeller	CrNi-steel
Shaft	Ceramic
Gasket	Split-case

Noise level	
BMK3	65 dBA
BMK4	67 dBA

