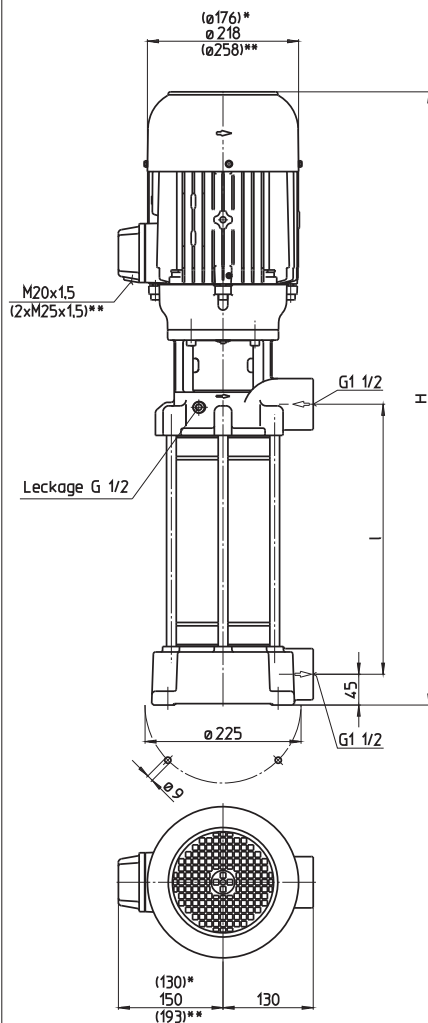


FH1102...1115



*) Dimensions for FH1102...1104

**) Dimensions for FH1107...1115

Type	Vol. del. at manom. del. head l/min /m	Height H mm	Length l mm	Weight kg	Power kW	Voltage 3 ~ V	Fre- quency Hz	Rated current A	Speed 1/min
FH1102B18	150/30	615	212	39	1.3	460	60	3	3400
FH1103B18	150/45	641	212	43	1.9	460	60	4.9	3400
FH1104B28	150/59	747	308	47	2.6	460	60	6.3	3400
FH1105B28	150/77	801	308	57	3.3	460	60	8	3450
FH1106B28	150/90	801	308	60	4.0	460	60	9.5	3450
FH1107B31	150/106	869	340	78	5.0	460	60	12	3450
FH1108B38	150/121	933	404	80	5.5	460	60	12.5	3450
FH1109B38	150/138	933	404	81	7.5	460	60	17	3450
FH1110B47	150/152	1066	500	91					
FH1111B47	150/166			92					
FH1112B47	150/180			93					
FH1113B50	150/198	1098	532	94					
FH1114B57	150/212	1212	596	109	10.0	460	60	23	3450
FH1115B57	150/230			110					

Pressure boosting pumps

Closed impellers

FH11 - 60 Hz

Pressure Boosting Pumps

series TH and FH use **closed impellers** in order to minimize power consumption and to optimize hydraulic pump efficiencies. In addition, the TH series offers high pressures at short immersion depths.

Inline pumps of the series FH can be used as **boosting pumps** if provided with positive inlet pressure. This inlet pressure can be provided by the central coolant supply or a feed pump. In such a setup, pumps of the series FH can raise the incoming pressure by up to 26 bar.

For alternating machining using **internally** and **externally cooled tools**, these models are available with YYY-configured **pole-changing motor** (Dahlander) for optional changeover to **half speed** operation.

A frequency converter can be supplied for **special applications** or for matching the pump characteristic to a specific duty point.

See page "Control/Regulation" in the Technical Information section of this catalog for further information.



Applications

Types of fluid
 water
 coolants
 cooling/cutting oils
 Kinematic viscosity
 ...25 mm²/s (25 cSt)
 Pumping temperature
 0...80° C



Construction

Pump body	cast iron
Cover	cast iron
Impellers	CrNi-steel
Shaft	CrNi-steel
Diffusers	CrNi-steel
Mechanical seal	SiC
O-rings	Viton
Optional:	
Pole-changing motor	4 - 2 poles
Noise level	
FH1102...FH1104	66 dBA
FH1105...FH1109	74 dBA
FH1110...FH1115	77 dBA

