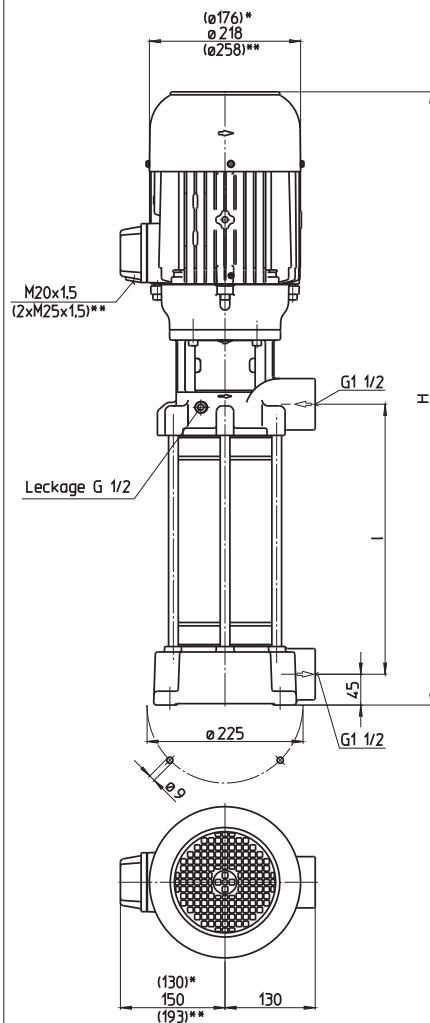


Pressure boosting pumps

Closed impellers

FH11 - 50 Hz

FH1102...1121



*) Dimensions for FH1102...1107

**) Dimensions for FH1111...1121

Type	Vol. del. at manom. del. head l/min / m	Height H mm	Length l mm	Weight kg	Power kW	Voltage 3 ~ V	Fre- quency Hz	Rated current A	Speed 1/min
FH1102A18	150/19	615	212	39	1.3	220-240 380-420	50 50	5.2 3.0	2850 2850
FH1103A18	150/29	615	212	40	1.5	220-240 380-420	50 50	6.6 3.8	2850 2850
FH1104A28	150/38	711	308	42					
FH1105A28	150/48	737	308	46	1.9	220-240 380-420	50 50	8.5 4.9	2850 2850
FH1106A28	150/58	737	308	47	2.2	220-240 380-420	50 50	9.2 5.3	2850 2850
FH1107A31	150/67	779	340	48	2.6	220-240 380-420	50 50	10.9 6.3	2850 2850
FH1108A38	150/78	897	404	61	3.3	220-240 380-420	50 50	13.8 8.0	2900 2900
FH1109A38	150/88	897	404	64	4.0	220-240 380-420	50 50	16.5 9.5	2900 2900
FH1110A47	150/98	993	500	66					
FH1111A47	150/106	1029	500	83	5.0	220-240 380-420	50 50	20.8 12.0	2900 2900
FH1112A47	150/118			84					
FH1113A50	150/128	1061	532	85	5.5	220-240 380-420	50 50	22.0 12.5	2900 2900
FH1114A57	150/138	1125	596	86					
FH1115A57	150/149	1162	596	95	7.5	220-240 380-420	50 50	29 17	2900 2900
FH1116A66	150/158	1258	682	98					
FH1117A66	150/168			99					
FH1118A66	150/178			100					
FH1119A76	150/188	1354	788	101					
FH1120A76	150/198			102					
FH1121A76	150/206	1404	788	106	10.0	220-240 380-420	50 50	40 23	2900 2900



Pressure boosting pumps

Closed impellers

FH11 - 50 Hz

Pressure Boosting Pumps

series TH and FH use **closed impellers** in order to minimize power consumption and to optimize hydraulic pump efficiencies. In addition, the TH series offers high pressures at short immersion depths.

Inline pumps of the series FH can be used as **boosting pumps** if provided with positive inlet pressure. This inlet pressure can be provided by the central coolant supply or a feed pump. In such a setup, pumps of the series FH can raise the incoming pressure by up to 26 bar.

For alternating machining using **internally** and **externally cooled tools**, these models are available with YYY-configured **pole-changing motor** (Dahlander) for optional changeover to **half speed** operation.

A frequency converter can be supplied for **special applications** or for matching the pump characteristic to a specific duty point.

See page "Control/Regulation" in the Technical Information section of this catalog for further information.



Applications

Types of fluid
 water
 coolants
 cooling/cutting oils
 Kinematic viscosity
 ...25 mm²/s (25 cSt)
 Pumping temperature
 0...80° C

Construction

Pump body	cast iron
Cover	cast iron
Impellers	CrNi-steel
Shaft	CrNi-steel
Diffusers	CrNi-steel
Mechanical seal	SiC
O-rings	Viton
Optional:	
Pole-changing motor	4 - 2 poles
Noise level	
FH1102...FH1107	63 dBA
FH1108...FH1114	71 dBA
FH1115...FH1121	74 dBA

