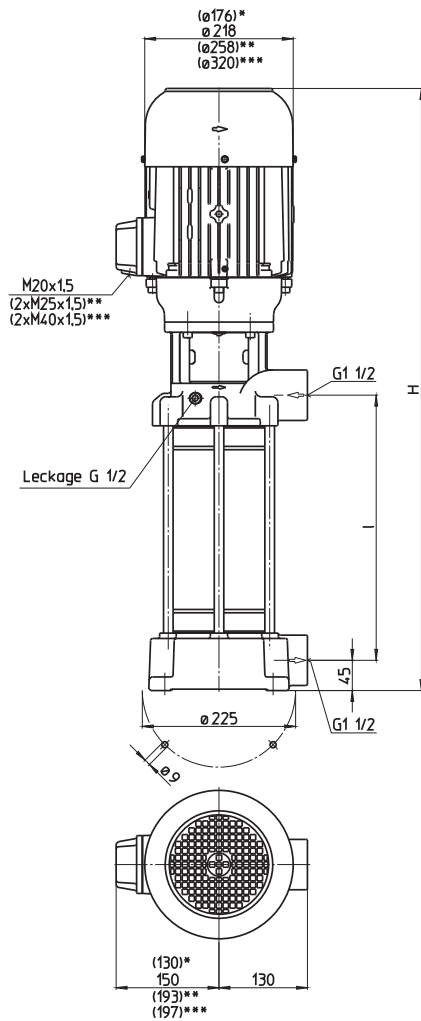


FH1402...1412



*) Dimensions for FH1402

**) Dimensions for FH1404...1408

***) Dimensions for FH1409...1412

Type	Vol. del. at manom. del. head l/min /m	Height H mm	Length l mm	Weight kg	Power kW	Voltage 3 ~ V	Fre- quency Hz	Rated current A	Speed 1/min
FH1402B18	250/38	651	212	44	2.6	460	60	6.3	3400
FH1403B28	250/58	801	308	60	4.0	460	60	9.5	3450
FH1404B28	250/77	837	308	77	5.5	460	60	12.5	3450
FH1405B38	250/96	970	404	87	7.5	460	60	17	3450
FH1406B38	250/111			88					
FH1407B47	250/128	1116	500	106	10.0	460	60	23	3450
FH1408B47	250/147			107					
FH1409B57	250/165	1519	596	126	17.3	460	60	26	3545
FH1410B57	250/184			127					
FH1411B66	250/203	1615	692	130					
FH1412B66	250/222			131					

Pressure boosting pumps

Closed impellers

FH14 - 60 Hz

Pressures Boosting Pumps

series TH and FH use **closed impellers** in order to minimize power consumption and to optimize hydraulic pump efficiencies. In addition, the TH series offers high pressures at short immersion depths.

Inline pumps of the series FH can be used as **boosting pumps** if provided with positive inlet pressure. This inlet pressure can be provided by the central coolant supply or a feed pump. In such a setup, pumps of the series FH can raise the incoming pressure by up to 26 bar.

For alternating machining using **internally and externally cooled tools**, these models are available with YYY-configured **pole-changing motor** (Dahlander) for optional changeover to **half speed** operation.

A frequency converter can be supplied for **special applications** or for matching the pump characteristic to a specific duty point.

See page "Control/Regulation" in the Technical Information section of this catalog for further information.

Applications

Types of fluid
 water
 coolants
 cooling/cutting oils
 Kinematic viscosity
 ...25 mm²/s (25 cSt)
 Pumping temperature
 0...80° C

60 Hz

Construction

Pump body	cast iron
Cover	cast iron
Impellers	CrNi-steel
Shaft	CrNi-steel
Diffusers	CrNi-steel
Mechanical seal	SiC
O-rings	Viton
Optional:	
Pole-changing motor	4 - 2 poles
Noise level	
FH1402	66 dBA
FH1403...FH1404	74 dBA
FH1405...FH1408	77 dBA
FH1409...FH1412	81 dBA

