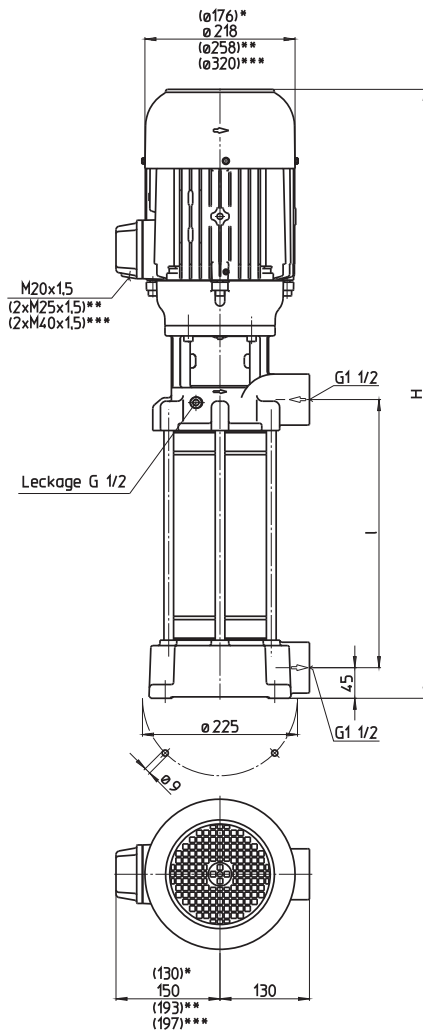


## FH1402...1417



- \*) Dimensions for FH1402...1403  
 \*\*) Dimensions for FH1406...1413  
 \*\*\*) Dimensions for FH1414...1417

Type	Vol. del. at manom. del. head l/min /m	Height H mm	Length l mm	Weight kg	Power kW	Voltage 3 ~ V	Fre- quency Hz	Rated current A	Speed 1/min
<b>FH1402A18</b>	250/21	615	212	40	1.7	220-240 380-420	50 50	7.1 4.1	2850 2850
<b>FH1403A28</b>	250/38	747	308	47	2.6	220-240 380-420	50 50	10.9 6.3	2850 2850
<b>FH1404A28</b>	250/48	801	308	58	3.3	220-240 380-420	50 50	13.8 8.0	2900 2900
<b>FH1405A38</b>	250/60	897	404	63	4.0	220-240 380-420	50 50	16.5 9.5	2900 2900
<b>FH1406A38</b>	250/74	933	404	79	5.0	220-240 380-420	50 50	20.8 12.0	2900 2900
<b>FH1407A47</b>	250/85	1029	500	82	5.5	220-240 380-420	50 50	22.0 12.5	2900 2900
<b>FH1408A47</b>	250/98	1066	500	91	7.5	220-240 380-420	50 50	29 17	2900 2900
<b>FH1409A57</b>	250/110	1162	596	94	10.0	220-240 380-420	50 50	40 23	2900 2900
<b>FH1410A57</b>	250/120	1212	596	109					
<b>FH1411A66</b>	250/134	1308	692	112	15.0	400	50	26.5	2945
<b>FH1412A66</b>	250/144			113					
<b>FH1413A76</b>	250/159	1404	788	115					
<b>FH1414A76</b>	250/170	1711	788	133					
<b>FH1415A90</b>	250/180	1855	932	137					
<b>FH1416A90</b>	250/190			138					
<b>FH1417A90</b>	250/200			139					



# Pressure boosting pumps

## Closed impellers

# FH14 - 50 Hz

### Pressure Boosting Pumps

series TH and FH use **closed impellers** in order to minimize power consumption and to optimize hydraulic pump efficiencies. In addition, the TH series offers high pressures at short immersion depths.

Inline pumps of the series FH can be used as **boosting pumps** if provided with positive inlet pressure. This inlet pressure can be provided by the central coolant supply or a feed pump. In such a setup, pumps of the series FH can raise the incoming pressure by up to 26 bar.

For alternating machining using **internally** and **externally cooled tools**, these models are available with YYY-configured **pole-changing motor** (Dahlander) for optional changeover to **half speed** operation.

**A frequency converter** can be supplied for **special applications** or for matching the pump characteristic to a specific duty point.

See page "Control/Regulation" in the Technical Information section of this catalog for further information.

### Applications

Types of fluid  
water  
coolants  
cooling/cutting oils

Kinematic viscosity  
...25 mm<sup>2</sup>/s (25 cSt)

Pumping temperature  
0...80° C

### Construction

Pump body	cast iron
Cover	cast iron
Impellers	CrNi-steel
Shaft	CrNi-steel
Diffusers	CrNi-steel
Mechanical seal	SiC
O-rings	Viton
Optional:	
Pole-changing motor	4 - 2 poles
Noise level	
FH1402...FH1403	63 dBA
FH1404...FH1407	71 dBA
FH1408...FH1413	74 dBA
FH1414...FH1417	78 dBA

