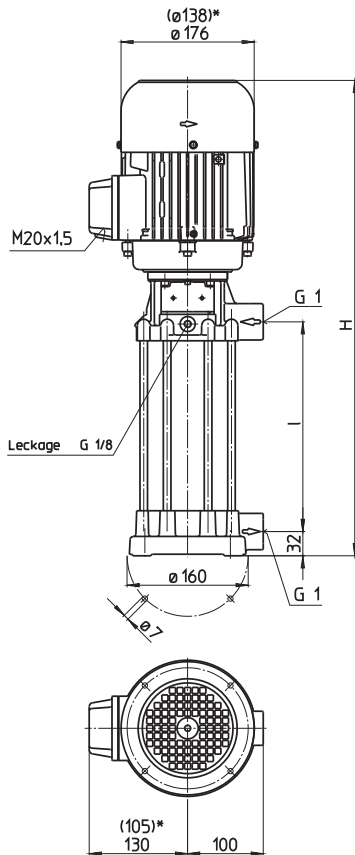


FH203...230



*) Dimensions for FH203...FH215

Type	Vol. del. at manom. del. head l/min / m	Height H mm	Length l mm	Weight kg	Power kW	Voltage 3 ~ V	Fre- quency Hz	Rated current A	Speed 1/min
FH203B19	20/25	488	197	16.9	0.45	460	60	1.1	3200
FH204B19	20/30			17.0					
FH205B19	20/40	488	197	17.4	0.54	460	60	1.4	3300
FH206B29	20/50	588	297	17.9					
FH207B29	20/57	606	297	19.3	0.75	460	60	2.2	3300
FH208B29	20/64			19.4					
FH209B29	20/74			19.5					
FH210B29	20/81			19.6					
FH211B39	20/90	706	397	20.9	0.92	460	60	2.7	3300
FH212B39	20/98			21.0					
FH213B39	20/106			21.1					
FH214B39	20/113	726	397	22.1	1.1	460	60	2.9	3300
FH215B39	20/119			22.2					
FH216B49	20/127	849	497	29.9	1.3	460	60	3	3400
FH217B49	20/136	849	497	30.5	1.5	460	60	3.8	3400
FH218B49	20/146			30.6					
FH219B49	20/156			30.7					
FH220B49	20/164	849	497	31.2	1.7	460	60	4.1	3400
FH221B59	20/172	949	597	31.7					
FH222B59	20/182	973	597	35.7	1.9	460	60	4.9	3400
FH223B59	20/191			35.8					
FH224B59	20/200	973	597	36.4	2.2	460	60	5.3	3400
FH225B59	20/208			36.5					
FH226B69	20/216	1073	697	37.0					
FH227B69	20/224			37.1					
FH228B69	20/231	1083	697	37.5	2.6	460	60	6.3	3400
FH229B69	20/238			37.8					
FH230B69	20/245			37.9					

Pressure boosting pumps

Closed impellers

FH2 - 60 Hz

Pressure Boosting Pumps

Series TH and FH use **closed impellers** in order to minimize power consumption and to optimize hydraulic pump efficiencies.

In addition, the TH series offers high pressures at short immersion depths.

Inline pumps of the series FH can be used as **boosting pumps** if provided with positive inlet pressure. This inlet pressure can be provided by the central coolant supply or a feed pump. In such a setup, pumps of the series FH can raise the incoming pressure by up to 26 bar.

For alternating machining using **internally and externally cooled tools**, these models are available with Y/YY-configured **pole-changing motor** (Dahlander) for optional changeover to **half speed** operation.

A **frequency converter** can be supplied for **special applications** or for matching the pump characteristic to a specific duty point.

See page "Control/Regulation" in the Technical Information section of this catalog for further information.



Applications

Types of fluid
 water
 coolants
 cooling/cutting oils
 Kinematic viscosity
 ...25 mm²/s (25 cSt)
 Pumping temperature
 0...80° C



Construction

Pump body	cast iron
Cover	cast iron
Impellers	CrNi-steel
Shaft	CrNi-steel
Diffusers	CrNi-steel
Mechanical seal	SiC
O-rings	Viton
Optional:	
Pole-changing motor	4 - 2 poles
Pump body	bronze
Cover	bronze
Noise level	
FH203...FH215	61 dBA
FH216...FH230	66 dBA

