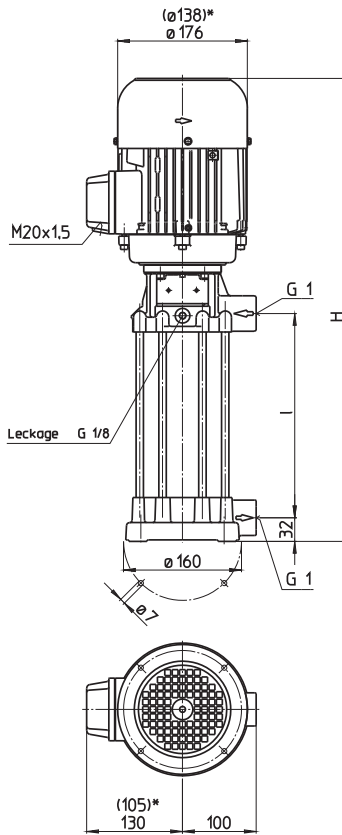


FH203...240



*) Dimensions for FH203...FH223

Type	Vol. del. at manom. del. head l/min / m	Height H mm	Length l mm	Weight kg	Power kW	Voltage 3 ~ V	Fre- quency Hz	Rated current A	Speed 1/min
FH203A19	20/15	488	197	16.9	0.45	220-240 380-420	50	1.9	2800
FH204A19	20/20			17.0					
FH205A19	20/25			17.1					
FH206A29	20/30	588	297	17.6	0.54	220-240 380-420	50	2.42	2800
FH207A29	20/35			17.7					
FH208A29	20/40	588	297	18.1					
FH209A29	20/45			18.2	0.75	220-240 380-420	50	3.8	2700
FH210A29	20/50			18.3					
FH211A39	20/56	688	397	18.8					
FH212A39	20/60	706	397	20.6	0.92	220-240 380-420	50	4.7	2700
FH213A39	20/68			20.7					
FH214A39	20/75			20.8					
FH215A39	20/82	706	397	21.7	1.1	220-240 380-420	50	5.0	2700
FH216A49	20/88	806	497	22.2					
FH217A49	20/93			22.3					
FH218A49	20/98			22.4	1.3	220-240 380-420	50	5.2	2850
FH219A49	20/102	826	497	23.4					
FH220A49	20/108			23.5					
FH221A59	20/112	926	597	24.0	1.5	220-240 380-420	50	6.6	2850
FH222A59	20/118			24.1					
FH223A59	20/125			24.2					
FH224A59	20/130	949	597	31.5	1.7	220-240 380-420	50	7.1	2850
FH225A59	20/135			31.6					
FH226A69	20/142	1049	697	32.6					
FH227A69	20/150			32.7	1.9	220-240 380-420	50	8.5	2850
FH228A69	20/155			32.8					
FH229A69	20/160	1049	697	33.3					
FH230A69	20/166			33.4	2.2	220-240 380-420	50	9.2	2850
FH231A79	20/172	1149	797	33.9					
FH232A79	20/178			34.0					
FH233A79	20/182			34.1	0.92	220-240 380-420	50	2.7	2700
FH234A79	20/190	1173	797	38.1					
FH235A79	20/195			38.2					
FH236A89	20/200	1273	897	38.7	1.3	220-240 380-420	50	5.2	2850
FH237A89	20/205	1273	897	39.3					
FH238A89	20/210			39.4					
FH239A89	20/215			39.5	1.5	220-240 380-420	50	6.6	2850
FH240A89	20/220			39.6					



Pressure boosting pumps

Closed impellers

FH2 - 50 Hz

Pressure Boosting Pumps

series TH and FH use **closed impellers** in order to minimize power consumption and to optimize hydraulic pump efficiencies. In addition, the TH series offers high pressures at short immersion depths.

Inline pumps of the series FH can be used as **boosting pumps** if provided with positive inlet pressure. This inlet pressure can be provided by the central coolant supply or a feed pump. In such a setup, pumps of the series FH can raise the incoming pressure by up to 26 bar.

For alternating machining using **internally and externally cooled tools**, these models are available with YYY-configured **pole-changing motor** (Dahlander) for optional changeover to **half speed** operation.

A **frequency converter** can be supplied for **special applications** or for matching the pump characteristic to a specific duty point.

See page "Control/Regulation" in the Technical Information section of this catalog for further information.



Applications

Types of fluid
 water
 coolants
 cooling/cutting oils
 Kinematic viscosity
 ...25 mm²/s (25 cSt)
 Pumping temperature
 0...80° C

Construction

Pump body	cast iron
Cover	cast iron
Impellers	CrNi-steel
Shaft	CrNi-steel
Diffusers	CrNi-steel
Mechanical seal	SiC
O-rings	Viton
Optional:	
Pole-changing motor	4 - 2 poles
Pump body	bronze
Cover	bronze

Noise level	
FH203...FH223	58 dBA
FH224...FH240	63 dBA

50 Hz

