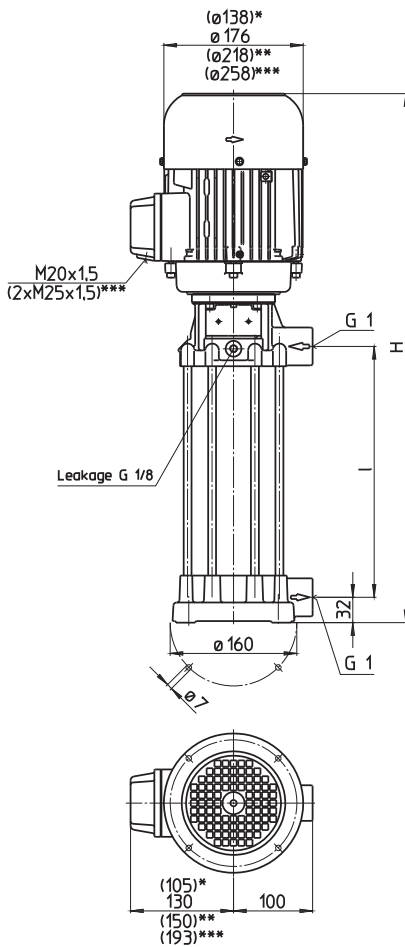


FH603...632



- *) Dimensions for FH603...FH608
 **) Dimensions for FH619...FH626
 ***) Dimensions for FH627...FH632

Type	Vol. del. at manom. del. head l/min /m	Height H mm	Length l mm	Weight kg	Power kW	Voltage 3 ~ V	Fre- quency Hz	Rated current A	Speed 1/min
FH603A19	80/18	488	197	17.1	0.54	220-240 380-420	50 50	2.42 1.40	2800 2800
FH604A19	80/24	506	197	19.0	0.75	220-240 380-420	50 50	3.8 2.2	2700 2700
FH605A24	80/30	556	247	19.3					
FH606A24	80/36	556	247	20.2	0.92	220-240 380-420	50 50	4.7 2.7	2700 2700
FH607A29	80/41	606	297	20.5					
FH608A29	80/48	626	297	21.5	1.1	220-240 380-420	50 50	5.0 2.9	2700 2700
FH609A34	80/56	699	347	29.0	1.5	220-240 380-420	50 50	6.6 3.8	2850 2850
FH610A34	80/61			29.1					
FH611A39	80/71	749	397	33.4	1.7	220-240 380-420	50 50	7.1 4.1	2850 2850
FH612A39	80/76	773	397	37.5	1.9	220-240 380-420	50 50	8.5 4.9	2850 2850
FH613A49	80/82	873	497	38.0	2.2	220-240 380-420	50 50	9.2 5.3	2850 2850
FH614A49	80/90			38.1					
FH615A49	80/96			38.2					
FH616A49	80/101	883	497	38.8	2.6	220-240 380-420	50 50	10.9 6.3	2850 2850
FH617A59	80/108	983	597	39.3					
FH618A59	80/114			42.5					
FH619A59	80/120	1038	597	53.1	3.3	220-240 380-420	50 50	13.8 8.0	2900 2900
FH620A59	80/128			53.2					
FH621A69	80/136	1138	697	53.7					
FH622A69	80/142			53.8					
FH623A69	80/150	1138	697	56.3	4.0	220-240 380-420	50 50	16.5 9.5	2900 2900
FH624A69	80/155			56.4					
FH625A79	80/160	1238	797	57.0					
FH626A79	80/166			57.1					
FH627A79	80/172	1274	797	73.7	5.0	220-240 380-420	50 50	20.8 12.0	2900 2900
FH628A79	80/180			73.8					
FH629A89	80/186	1374	897	74.3					
FH630A89	80/192			74.4					
FH631A89	80/200			74.5					
FH632A89	80/206			74.6					

Pressure boosting pumps

Closed impellers

FH6 - 50 Hz

Pressure Boosting Pumps

Series TH and FH use **closed impellers** in order to minimize power consumption and to optimize hydraulic pump efficiencies.

In addition, the TH series offers high pressures at short immersion depths.

Inline pumps of the series FH can be used as **boosting pumps** if provided with positive inlet pressure. This inlet pressure can be provided by the central coolant supply or a feed pump. In such a setup, pumps of the series FH can raise the incoming pressure by up to 26 bar.

For alternating machining using **internally** and **externally cooled tools**, these models are available with Y/YY-configured **pole-changing motor** (Dahlander) for optional changeover to **half speed** operation.

A frequency converter can be supplied for **special applications** or for matching the pump characteristic to a specific duty point.

See page "Control/Regulation" in the Technical Information section of this catalog for further information.



Applications

Types of fluid
 water
 coolants
 cooling/cutting oils
 Kinematic viscosity
 ...25 mm²/s (25 cSt)
 Pumping temperature
 0...80° C

Construction

Pump body	cast iron
Cover	cast iron
Impellers	CrNi-steel
Shaft	CrNi-steel
Diffusers	CrNi-steel
Mechanical seal	SiC
O-rings	Viton

Optional:
 Pole-changing motor 4 - 2 poles
 Pump body bronze
 Cover bronze

Noise level
 FH603...FH608 58 dBA
 FH609...FH618 63 dBA
 FH619...FH632 71 dBA

50 Hz

