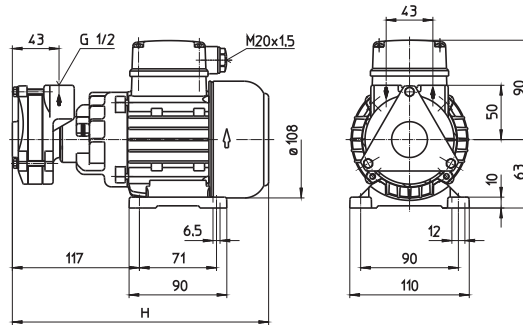
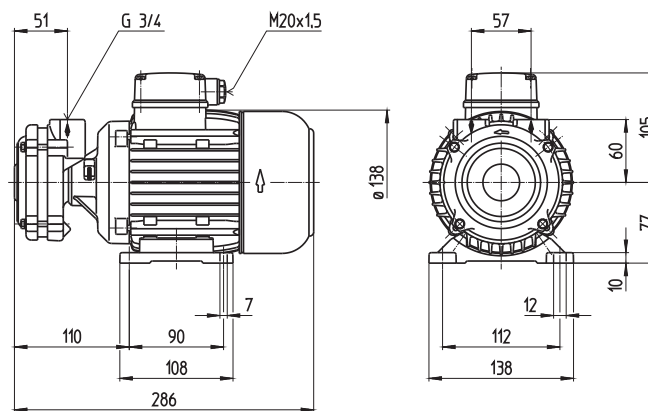


KC21, 31, 35, 45 self-priming



KC60 self-priming



Type	Vol. del. at manom. del. head l/min / m	Dimensions H mm	Weight kg	Power kW	Voltage 3 ~ V	Fre- quency Hz	Rated current A	Speed 1/min
KC21	2/17	236	5.2	0.25	220-240 380-420	50 50	1.2 0.7	2700 2700
KC31	2/27	270	6	0.3	220-240 380-420	50 50	1.55 0.90	2700 2700
KC35	2/28	236	5.2	0.25	220-240 380-420	50 50	1.2 0.7	2700 2700
KC45	2/38	270	6	0.3	220-240 380-420	50 50	1.55 0.90	2700 2700
KC60	2/45	286	10.5	0.92	220-240 380-420 460	50 50 60	4.7 2.7 2.7	2700 2700 3300

Miniature centrifugal pumps

Open/peripheral impellers

KC21-45/KC60

Miniature Centrifugal Pumps

series KC are suitable for pumping thin-bodied fluids. They operate according to the bypass duct principle, with self-priming function following initial priming.

Applications

Types of fluid
 water
 coolants
 fuel oil

Kinematic viscosity
 ...12 mm²/s (12 cSt)

Pumping temperature
 0...80° C

Suction height
 2 m without foot-located valve
 6 m with foot-located valve

Construction

Cover	bronze
Impeller	brass
Shaft	Cr-steel
Gasket	
Noise level	
KC35	57 dBA
KC45	60 dBA
KC21...KC31	63 dBA
KC60	65 dBA

