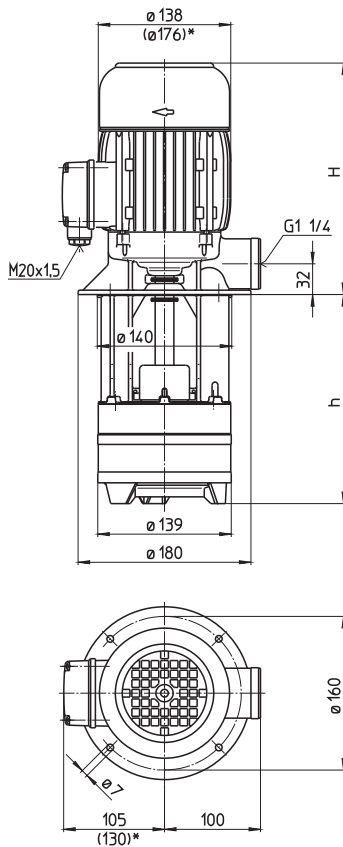
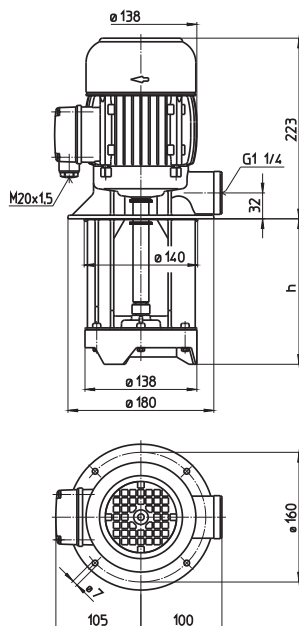


## KTF151...153 KTF301...303



## KTB200



\*) Dimensions for KTF153, KTF302, 303

Type	Vol. del. at manom. del. head l/min /m	Height H mm	Depth of immersion h mm	Weight kg	Power kW	Voltage 3 ~ V	Fre- quency Hz	Rated current A	Speed 1/min
<b>KTF151/140</b>	100/10	223	140	7.0	0.53	220-240	50	2.25	2750
	220		220	7.4					
	290		290	7.8					
	370		370	8.2					
<b>KTF152/180</b>	100/20	261	180	9.4	1.1	220-240	50	5.0	2700
	260		260	9.8					
	330		330	10.2					
	410		410	10.6					
<b>KTF153/220</b>	100/32	318	220	19.5	1.5	220-240	50	6.6	2850
	300		300	20.0					
	370		370	20.5					
	450		450	21.0					
<b>KTF301/140</b>	180/10	261	140	9.8	1.1	220-240	50	5.0	2700
	220		220	10.1					
	290		290	10.5					
	370		370	10.9					
<b>KTF302/180</b>	180/20	318	180	19.0	1.5	220-240	50	6.6	2850
	260		260	19.5					
	330		330	20.0					
	410		410	20.5					
<b>KTF303/220</b>	180/33	343	220	23.0	1.9	220-240	50	8.5	2850
	300		300	23.5					
	370		370	24.0					
	450		450	24.5					
<b>KTB200/120</b>	210/2	223	120	6.2	0.55	220-240	50	2.50	2750
	200		200	6.7					
	270		270	7.2					
	350		350	7.7					
					0.55	380-420	50	1.45	2750

# Immersion pumps in plastics

## Semi-open impellers

# KTF151-303, KTB200

### Immersion Pumps in Plastics

series **KTF** and **KTB** are suitable for various **water supply problems**.

These pumps are also suitable for a wide range of **chemical liquids**.

No shaft seal is required, due to the construction.

### Applications

Types of fluid

water; warm, cold, with and without chemical admixtures, distilled, de-ionized

Kinematic viscosity

...12 mm<sup>2</sup>/s (12 cSt)

Pumping temperature

-10...+60° C

### Construction

Pump body

POM

Cover

PPS

Impellers

POM (KTB200)

PPS

Shaft

POM (KTB200)

1.4104

Optional:

Shaft

CrMo

Noise level

KTF151...KTF152

60 dBA

KTF301

KTB200

KTF153

KTF302...KTF303

65 dBA

