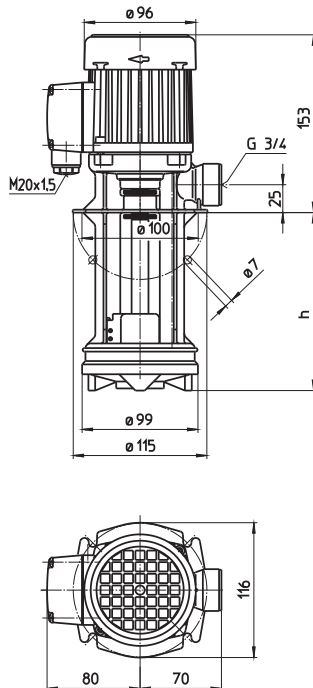


Immersion pumps in plastics

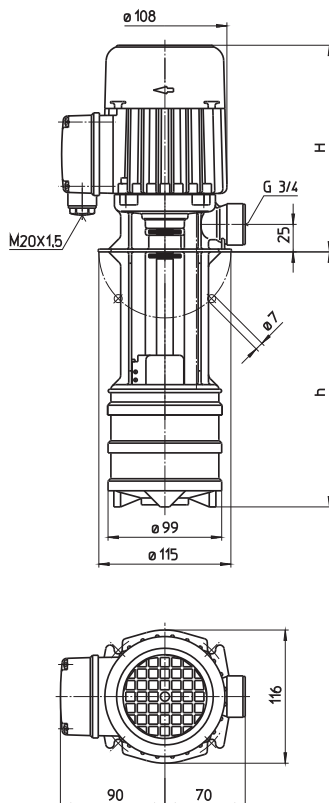
Semi-open impellers

KTF25-54, KTF81-83

KTF25, 40, 51



KTF52, 53, 54 KTF81, 82, 83



| Type | Vol. del. at manom. del. head l/min /m | Height H mm | Depth of immersion h mm | Weight kg | Power kW | Voltage 3 ~ V | Fre- quency Hz | Rated current A | Speed 1/min |
|------------------|---|----------------|----------------------------|--------------|-------------|---------------------|----------------------|-----------------------|----------------|
| KTF25/120 | 25/2 | 153 | 118 | 2.4 | 0.045 | 220-240 | 50 | 0.33 | 2800 |
| | 170 | | 168 | 2.5 | | | | | |
| | 220 | | 218 | 2.6 | | | | | |
| | 270 | | 268 | 2.8 | | | | | |
| KTF40/120 | 25/3 | 153 | 118 | 2.5 | 0.055 | 220-240 | 50 | 0.35 | 2800 |
| | 170 | | 168 | 2.6 | | | | | |
| | 220 | | 218 | 2.7 | | | | | |
| | 270 | | 268 | 2.9 | | | | | |
| KTF51/120 | 25/5 | 153 | 118 | 2.6 | 0.075 | 220-240 | 50 | 0.38 | 2700 |
| | 170 | | 168 | 2.7 | | | | | |
| | 220 | | 218 | 2.8 | | | | | |
| | 270 | | 268 | 3.0 | | | | | |
| KTF52/150 | 25/8 | 181 | 151 | 3.0 | 0.14 | 220-240 | 50 | 0.71 | 2700 |
| | 200 | | 201 | 3.1 | | | | | |
| | 250 | | 251 | 3.2 | | | | | |
| | 300 | | 301 | 3.4 | | | | | |
| KTF53/190 | 25/12 | 181 | 184 | 3.7 | 0.22 | 220-240 | 50 | 0.95 | 2700 |
| | 240 | | 234 | 3.8 | | | | | |
| | 290 | | 284 | 3.9 | | | | | |
| | 340 | | 334 | 4.1 | | | | | |
| KTF54/220 | 25/17 | 214 | 217 | 4.7 | 0.28 | 220-240 | 50 | 1.4 | 2700 |
| | 270 | | 267 | 4.9 | | | | | |
| | 320 | | 317 | 5.1 | | | | | |
| | | | | | | | | | |
| KTF81/120 | 30/6 | 181 | 118 | 2.8 | 0.14 | 220-240 | 50 | 0.71 | 2700 |
| | 170 | | 168 | 2.9 | | | | | |
| | 220 | | 218 | 3.0 | | | | | |
| | 270 | | 268 | 3.2 | | | | | |
| KTF82/150 | 30/11 | 181 | 151 | 3.5 | 0.22 | 220-240 | 50 | 0.95 | 2700 |
| | 200 | | 201 | 3.6 | | | | | |
| | 250 | | 251 | 3.7 | | | | | |
| | 300 | | 301 | 3.9 | | | | | |
| KTF83/190 | 30/15 | 214 | 184 | 4.5 | 0.28 | 220-240 | 50 | 1.4 | 2700 |
| | 240 | | 234 | 4.6 | | | | | |
| | 290 | | 284 | 4.8 | | | | | |
| | 340 | | 334 | 5.0 | | | | | |



Immersion pumps in plastics

Semi-open impellers

KTF25-54, KTF81-83

Immersion Pumps in Plastics

series **KTF** are suitable for various **water supply problems**.

These pumps are also suitable for a wide range of **chemical liquids**.

No shaft seal is required, due to the construction.

Applications

Types of fluid

water; warm, cold, with and without chemical admixtures, distilled, de-ionized

Kinematic viscosity

...12 mm²/s (12 cSt)

Pumping temperature

-10...+60° C

Construction

| | |
|-----------|--------|
| Pump body | PPS |
| Cover | PPS |
| Impellers | PPS |
| Shaft | 1.4104 |

Optional:
Shaft CrMo

Optional:
These models are also available with **single phase motor**.

| | |
|---------------|--------|
| Noise level | |
| KTF25...KTF51 | 47 dBA |
| KTF52...KTF83 | 48 dBA |

