



**Usages:**

The pumps are suitable to transfer liquids containing impurities measuring up to 2-3 mm. The hydraulic components, namely the brass impeller and the aluminium scroll and pump body allow the pumps to be used with water, emulsions and oily substances in general with a maximum viscosity of 3° Engler (2° CST).

The temperature of the liquid must not exceed 90° C.

**They are usually used on:**

**Machine tools**

(milling machines – lathes - drills)

**Glass processing machines**

**Filtration systems.**

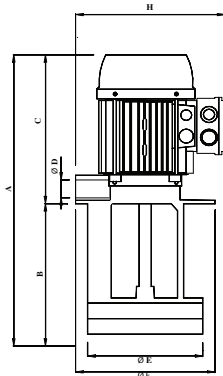
They should usually be installed on a tank, with a capacity in proportion to the flow rate, at about 4 – 5 cm from the bottom. It is important to check that the maximum level of the liquid in the tank always remains 3 - 4 cm. lower than the flange (see figure).

In cases where the liquid is particularly dirty, the user is recommended to construct the tank in compartments to allow the dirt to deposit before it is stirred up by the pump.

**For other usages you are advised to consult our technical office.**

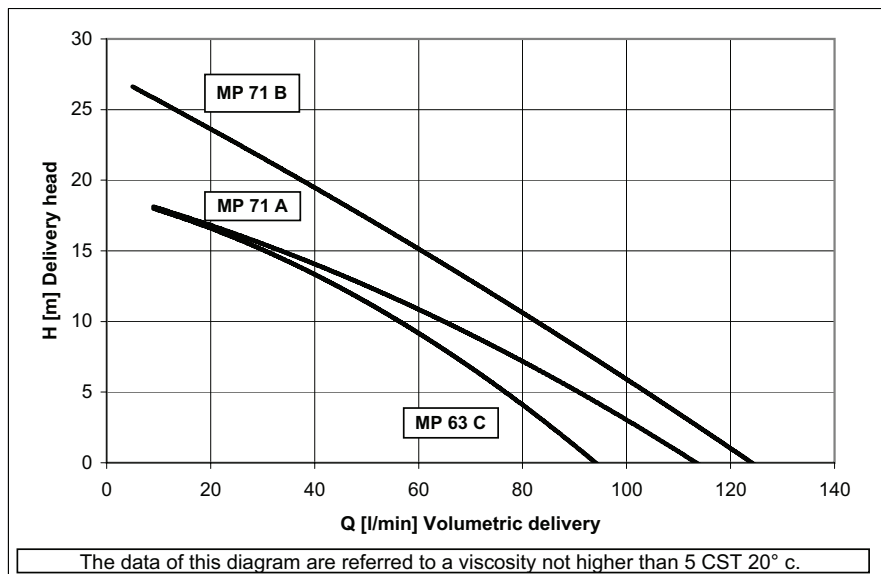
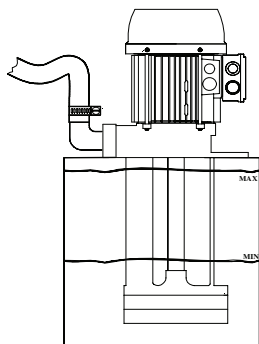
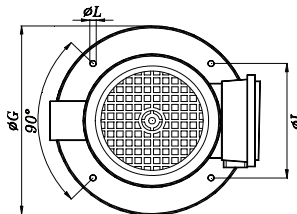
**Table of dimensions and weights**

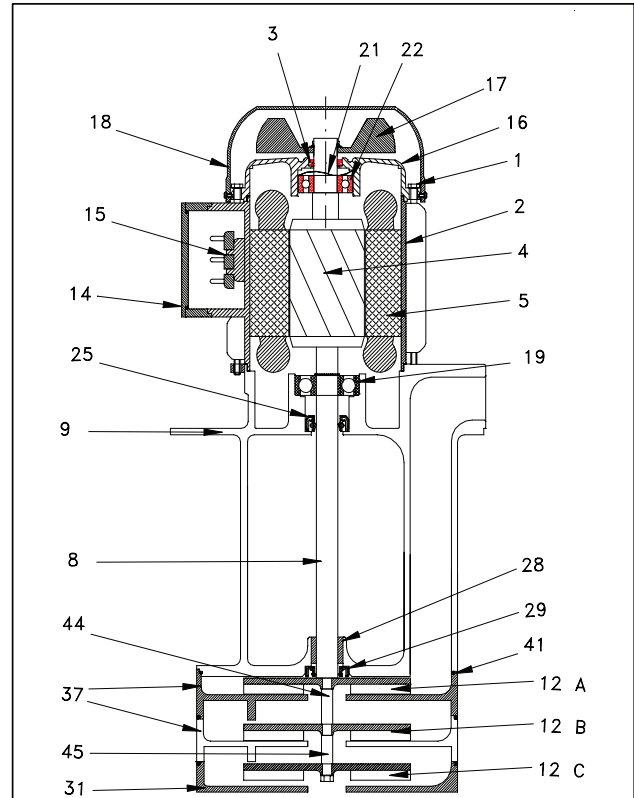
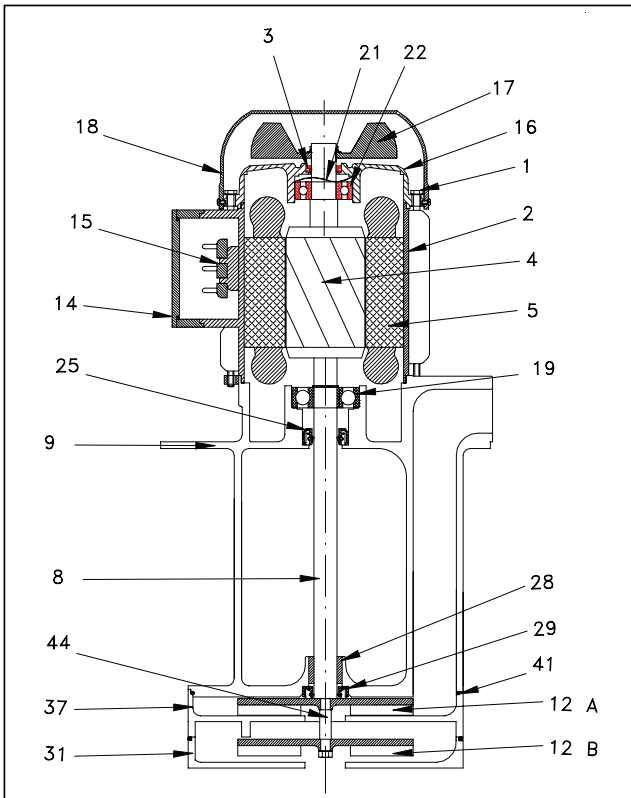
TYPE	A mm	B mm	C mm	ØD mm	ØE mm	ØF mm	ØG mm	H mm	ØI mm	ØL mm	Kg.
MP 63C	385	180	205	3/4"	128	130	180	190	150	9 N. 4	6,84
	435	230									6,92
	485	280									7,00
	535	330									7,08
MP 71A	410	180	230	3/4"	128	130	180	200	150	9 N. 4	8,83
	460	230									8,99
	510	280									9,15
	560	330									9,31
MP 71B	440	210	230	3/4"	128	130	180	200	150	9 N. 4	10,40
	490	260									10,56
	540	310									10,72
	590	360									10,89



**Electrical features**

TYPE	KW. Input	Hz. 50		Hz. 60			
		230/400	254-290/440-500	230/400	208-230/440-460	254-277/440-480	318-346/550-600
MP 63C	0,54	1,9/1,1	1,52/0,88	2,3/1,32	2,2/1,3	1,9/1,1	1,6/0,92
MP 71A	0,70	2,4/1,4	1,94/1,12	2,9/1,68	2,7/1,6	2,4/1,4	2,0/1,17
MP 71B	0,95	3,3/1,9	2,6/1,5	4,0/2,3	3,6/2,1	3,3/1,9	2,8/1,6





**Type MP 63 C**

**Type MP 71 A**

**Type MP 71 B**

Components	Materials
1 Rod	Steel
2 Frame	Aluminium
3 V-ring	NBR $\varnothing$ 14
4 Rotor	
5 Stator	
8 Shaft	Steel C 40**
9 Pump body	Aluminium
12 Impeller	Brass 58
14 Terminal box	Nylon
15 Terminal block	mm. 40x25 6P
16 Non-drive end shield	Aluminium
17 Fan	Nylon
18 Fan cover	Nylon***
19 Bearing	6203 ZZ
21 Spring ring	$\varnothing$ 35
22 Bearing	6202 ZZ
25 Sealing ring	NBR 17x30x7
28 Bronze bearing	19X17X15
29 Sealing ring	NBR 17x25x4
31 House impeller	Aluminium
37 Diffuser	Aluminium
41 OR ring	NBR 101,34X1,78
44 Spacer	Steel 17x12x17

Materials
Steel
Aluminium
NBR $\varnothing$ 16
Steel C 40**
Aluminium
Brass 58
Nylon
mm. 40x25 6P
Aluminium
Nylon
Nylon***
6004 ZZ
$\varnothing$ 40
6203 ZZ
NBR 20x32x5
19X17X15
NBR 17x25x4
Aluminium
Aluminium
NBR 101,34X1,78
Steel 17x12x17

Components	Materials
1 Rod	Steel
2 Frame	Aluminium
3 V-ring	NBR $\varnothing$ 16
4 Rotor	
5 Stator	
8 Shaft	Steel C 40**
9 Pump body	Aluminium
12 Impeller	Brass 58
14 Terminal box	Nylon
15 Terminal block	mm. 40x25 6P
16 Non-drive end shield	Aluminium
17 Fan	Nylon
18 Fan cover	Nylon***
19 Bearing	6004 ZZ
21 Spring ring	$\varnothing$ 40
22 Bearing	6203 ZZ
25 Sealing ring	NBR 20x32x7
28 Bronze bearing	19X17X15
29 Sealing ring	NBR 17x25x4
31 House impeller	Aluminium
37 Diffuser	Aluminium
41 OR ring	NBR 101,34X1,78
44 Spacer	Steel 17x12x17
45 Spacer	Steel 17x12x17

