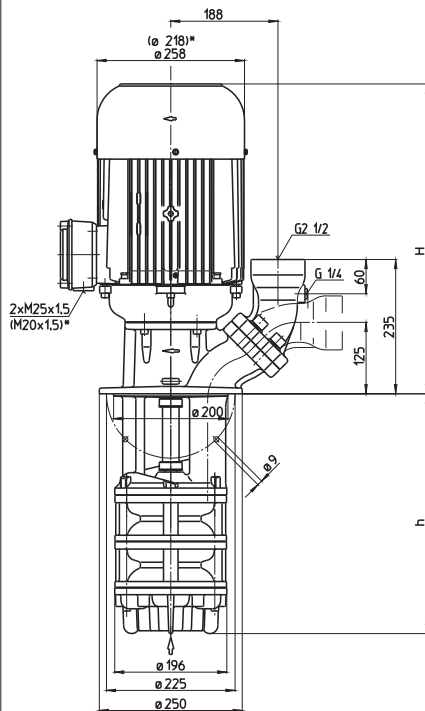


## SAL1301, 1302 SAL1303



\*) Dimensions for SAL1301

Type	Vol. del. at manom. del. head l/min /m	Height H mm	Depth of immersion h mm	Weight kg	Power kW	Voltage 3 ~ V	Fre- quency Hz	Rated current A	Speed 1/min
<b>SAL1301/230</b>	900/11	468	230	58	4.0	220-240	50	16.5	2900
<b>330</b>			330	60					
<b>460</b>			460	62					
<b>580</b>			580	66					
<b>780</b>			780	72					
<b>1010</b>			1010	77					
<b>1130</b>			1130	80					
<b>SAL1302/310</b>	900/21	542	310	96	7.5	220-240	50	29	2900
<b>410</b>			410	99					
<b>540</b>			540	103					
<b>660</b>			660	107					
<b>860</b>			860	112					
<b>1090</b>			1090	119					
<b>SAL1303/390</b>	900/35	592	390	116	10.0	220-240	50	40	2900
<b>490</b>			490	119					
<b>620</b>			620	125					
<b>740</b>			740	130					
<b>940</b>			940	135					
<b>1170</b>			1170	142					



# Quick suctioning immersion pumps

## Axial/semi-open impellers

# SAL1301-1303

### Quick Suctioning Immersion Pumps

equipped with the patented "BRINK-MANN's Suction De-aeration System" are excellently suited to pumping **extremely inflated fluids** (emulsions resp. cooling/cutting oils) as they occur in heavy cutting when turning, milling or grinding. The quick suctioning immersion pumps reach stable working conditions as soon as the liquid level reaches the suction inlet.

The SAL serie offers a **flange** with pressure gauge connection port.

The flange can be rotated for either horizontal or vertical pipe connections.

### Applications

Types of fluid  
 water  
 coolants  
 cooling/cutting oils  
 Kinematic viscosity  
 ...90 mm<sup>2</sup>/s (90 cSt)  
 Pumping temperature  
 0...80° C

### Construction

Pump body	cast iron
Cover	cast iron
Impeller axial	cast steel
Impeller radial	cast steel
Shaft	steel

