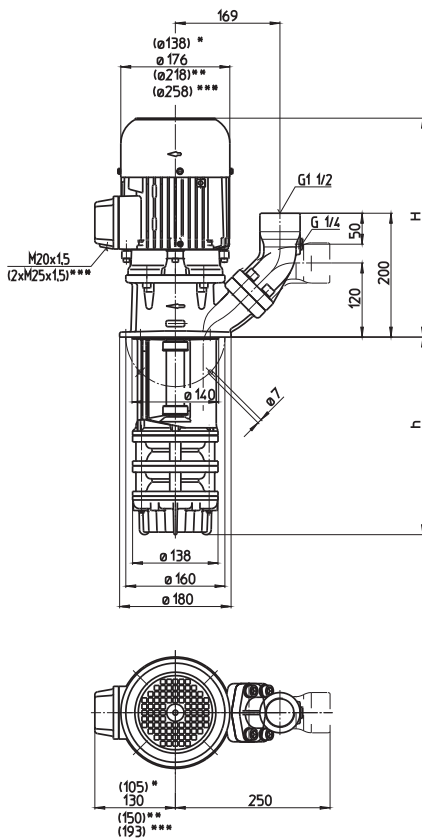


Quick suctioning immersion pumps

Axial/semi-open impellers

SAL401-409

SAL401...409



- *) Dimensions for SAL401
- **) Dimensions for SAL406, 407
- ***) Dimensions for SAL409

Type	Vol. del. at manom. del. head l/min /m	Height H mm	Depth of immersion h mm	Weight kg	Power kW	Voltage 3 ~ V	Fre- quency Hz	Rated current A	Speed 1/min
SAL401/140	250/5	311	140	16	0.85	220-240	50	4.3	2800
220			220	17					
290			290	18					
370			370	19					
460			460	20					
570			570	21					
770			770	22					
920			920	23					
SAL402/190	250/11	355	190	31	1.3	220-240	50	5.2	2850
270			270	32					
340			340	33					
420			420	34					
510			510	35					
620			620	37					
820			820	38					
970			970	39					
SAL403/240	250/19	355	240	33	1.7	220-240	50	7.1	2850
320			320	34					
390			390	35					
470			470	36					
560			560	37					
670			670	38					
870			870	40					
1020			1020	41					
SAL404/290	250/25	395	290	39	2.2	220-240	50	9.2	2850
370			370	40					
440			440	41					
520			520	42					
610			610	43					
720			720	44					
920			920	46					
1070			1070	47					
SAL405/340	250/30	405	340	43	2.6	220-240	50	10.9	2850
420			420	44					
490			490	45					
570			570	46					
660			660	47					
770			770	48					
970			970	51					
1120			1120	52					
SAL406/390	250/38	445	390	56	3.3	220-240	50	13.8	2900
470			470	57					
540			540	58					
620			620	59					
710			710	60					
820			820	61					
1020			1020	62					
SAL407/440	250/44	445	440	60	4.0	220-240	50	16.5	2900
520			520	61					
590			590	62					
670			670	63					
760			760	64					
870			870	65					
SAL409/540	250/53	480	540	81	5.5	220-240	50	22.0	2900
620			620	82					
690			690	83					
770			770	84					
860			860	85					
970			970	86					



Quick suctioning immersion pumps

Axial/semi-open impellers

SAL401-409

Quick Suctioning Immersion Pumps

equipped with the patented "BRINK-MANN's Suction De-aeration System" are excellently suited to pumping **extremely inflated fluids** (emulsions resp. cooling/cutting oils) as they occur in heavy cutting when turning, milling or grinding. The quick suctioning immersion pumps reach stable working conditions as soon as the liquid level reaches the suction inlet. The SAL serie offers a **(SAE) flange** with pressure gauge connection port. The flange can be rotated for either horizontal or vertical pipe connections.



Applications

Types of fluid
 water
 coolants
 cooling/cutting oils
 Kinematic viscosity
 ...90 mm²/s (90 cSt)
 Pumping temperature
 0...80° C

Construction

Pump body	cast iron
Cover	cast iron
Impeller axial	cast steel
Impeller radial	brass
Shaft	steel
Optional: Impeller radial	cast steel

