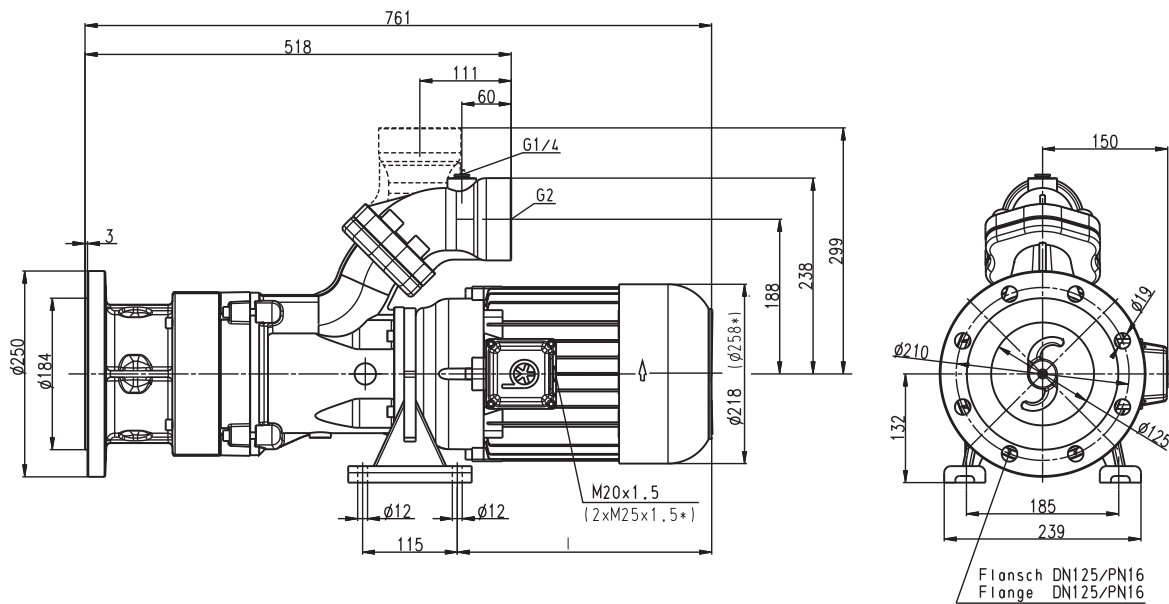


## SBC820...1120



\*) Dimensions for SBC1120

Type	Vol. del. at manom. del. head l/min / m	Dimensions H mm	h mm	Length l mm	Weight kg	Power kW	Voltage 3 ~ V	Fre- quency Hz	Rated current A	Speed 1/min
<b>SBC820</b>	400/10	761	518	309	71	4.0	220-240 380-420 460	50 50 60	16.5 9.5 9.5	2900 2900 3450
<b>SBC1120</b>	600/10	797	518	345	93	5.5	220-240 380-420 460	50 50 60	22.0 12.5 12.5	2900 2900 3450

# Horizontal end-suction pumps

## Axial/semi-open impellers

# SBC820-1120

### Horizontal End-Suction Pumps

are centrifugal inline pumps with a compact design where the impeller is mounted onto the extended motor shaft. These pumps are not self-priming and must be gravity fed. All pumps are equipped with double mechanical seal. This pump series is designed for horizontal installations next to a tank and are capable of cutting aluminium chips and similar materials and pumping of these materials along with the coolant fluid. An agitator located at the pump suction helps to break up and separate any large bundles of chips or birds nests which reach the pump suction.

The specially made cutting unit (> 60 HRC) is cutting chips and the above located semi-open impeller allows with its large clearances to pump the particles along with the coolant fluid from the machine back to the filter. The SBC pumps are capable of handling chip to coolant ratios of up to 1.5% by weight.

The SBC pumps are equipped with the user-friendly 45 degree **flange** connection which allows for either vertical or horizontal pipe connection and the connection of a pressure gauge with G 1/4. For more information see mechanical features within the technical information section (SFC).

### Applications

Types of fluid  
 water  
 coolants  
 cooling/cutting oils  
 Max. chip to coolant ratio by weight:  
 1.5 %  
 Chip material:  
 Aluminium  
 Chip geometry:  
 Chip bundles to max. Ø 100 mm  
 Kinematic viscosity  
 ...45 mm<sup>2</sup>/s (45 cSt)  
 Pumping temperature  
 0...80° C

### Construction

Pump body	cast iron
Cover	cast iron
Impeller axial	cast steel
Impeller radial	cast steel
Cutting unit	Hardened (>60 HRC)
Agitator material:	Highly ductile steel
Shaft	steel
Mechanical seal	SiC
Noise level	SBC820...SBC1120 71 dBA

