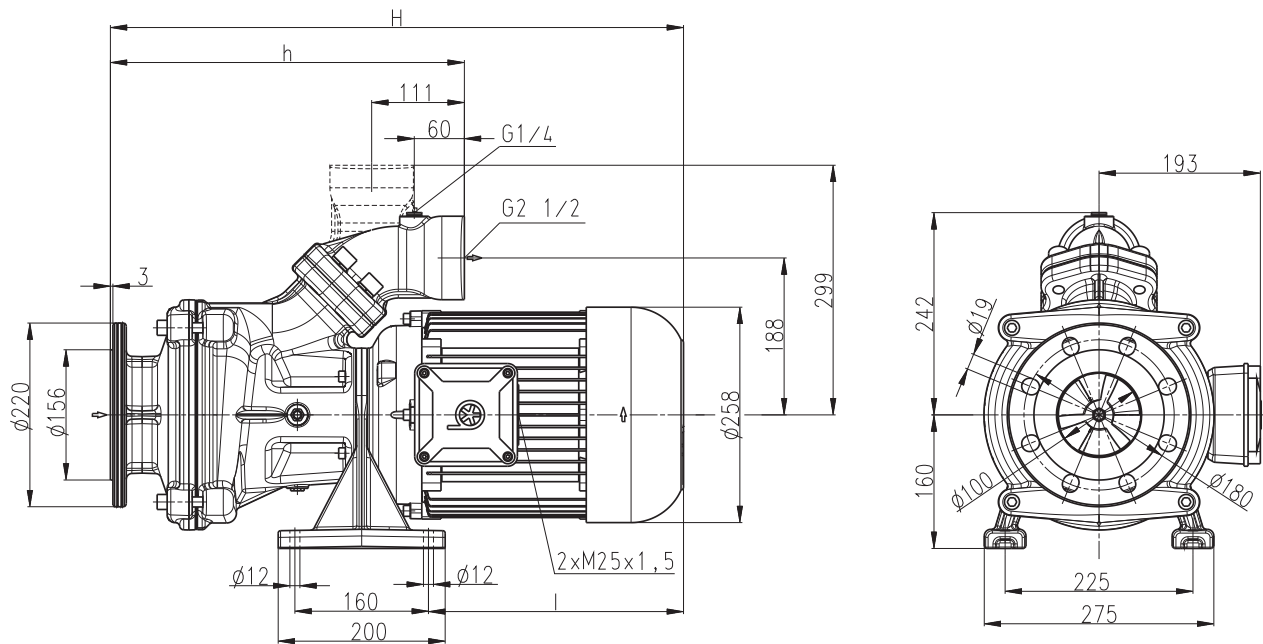


SBF1350...1850



Type	Vol. del. at manom. del. head l/min /m	Dimensions		Length l mm	Weight kg	Power kW	Voltage 3~ V	Fre- quency Hz	Rated current A	Speed 1/min
		H mm	h mm							
SBF1350	600/15	686	424	305	92	5.5	220-240	50	22.0	2900
							380-420	50	12.5	2900
							460	60	12.5	3450
SBF1550	850/20	724	424	343	100	7.5	220-240	50	29	2900
							380-420	50	17	2900
							460	60	17	3450
SBF1850	1100/20	774	424	393	119	10.0	220-240	50	40	2900
							380-420	50	23	2900
							460	60	23	3450

Horizontal end-suction pumps

Axial/semi-open impellers

SBF1350-1850

Horizontal End-Suction Pumps

are centrifugal inline pumps with a compact design where the impeller is mounted onto the extended motor shaft.

These pumps are not self-priming and must be gravity fed. All pumps are equipped with a single mechanical seal.

Upon request a second mechanical seal is available to allow for dry-running (-GD).

This pump series is designed for horizontal installations next to a tank and for pumping **highly air entrained coolant fluids**, such as **water-soluble coolants (emulsions)**, as they occur in **high speed machining applications, such as turning and milling**.

The SBF pumps are equipped with the user-friendly 45 degree **flange** connection which allows for either vertical or horizontal pipe connection and the connection of a pressure gauge with G ¼.

For more information see mechanical features within the technical information section.

Applications

Types of fluid

water
coolants
cooling/cutting oils

Max. chip to coolant ratio by weight:
1.0 % depending on the specific chip type

Chip material:

Aluminium, steel, coloured steels,
cast iron

Kinematic viscosity

...45 mm²/s (45 cSt)

Pumping temperature

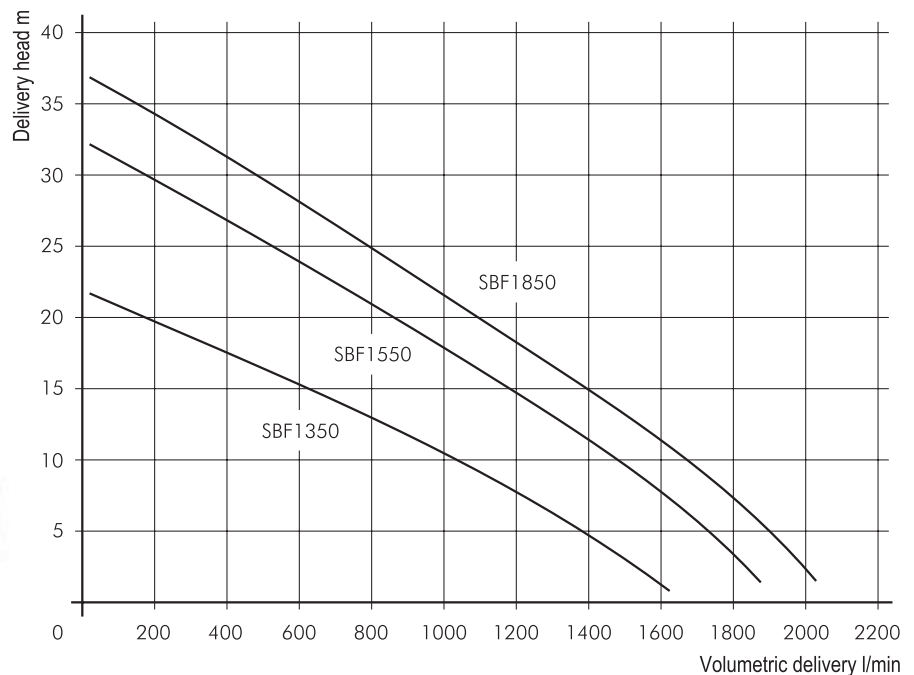
0...80° C

Construction

Pump body	cast iron
Cover	cast iron
Impeller axial	cast steel
Impeller radial	cast steel
Shaft	steel
Mechanical seal	SiC

Noise level

SBF1350	71 dBA
SBF1550...SBF1850	74 dBA



Pumps & Equipment (Warwick) Ltd. 6 Collins Road Heathcote Industrial Estate, Warwick CV34 6TF
 Telephone: 01926 451744 | Fax: 01926 451284 | www.pumps-equip.co.uk