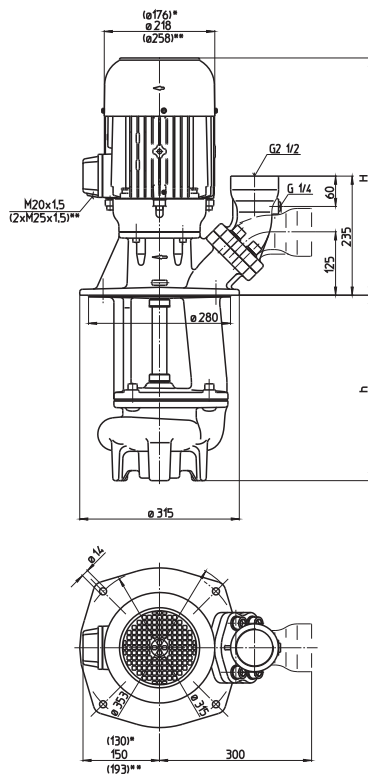


Free flow-immersion pumps

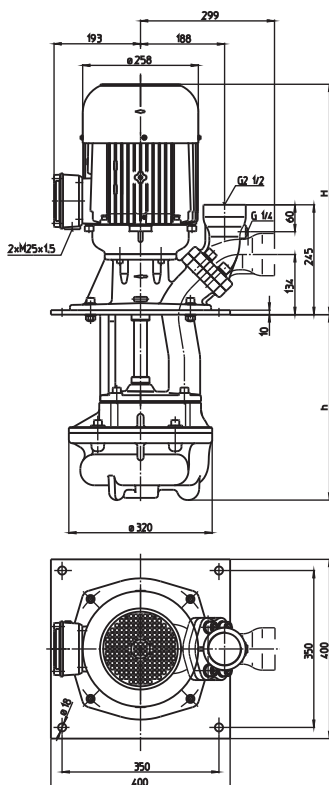
Semi-open impellers

SFT450-1400

SFT450...1100



SFT1300...1400



*) Dimensions for SFT450

**) Dimensions for SFT1100

Type	Vol. del. at manom. del. head l/min /m	Height H mm	Depth of immersion h mm	Weight kg	Power kW	Voltage 3 ~ V	Fre- quency Hz	Rated current A	Speed 1/min
SFT450/300	600/5	419	300	71	2.2	220-240	50	9.2	2850
430			430	74					
550			550	76					
800			800	94					
1050			1050	99					
SFT710/300	800/5	468	300	78	3.3	220-240	50	13.8	2900
430			430	81					
550			550	83					
800			800	101					
1050			1050	106					
SFT1100/300	1100/5	504	300	91	5.5	220-240	50	22.0	2900
430			430	94					
550			550	96					
800			800	115					
1050			1050	121					
SFT1300/360	800/11	514	363	142	5.5	220-240	50	22.0	2900
490			493	147					
610			613	151					
SFT1350/360	800/15	542	363	150	7.5	220-240	50	29	2900
490			493	155					
610			613	159					
SFT1400/360	800/19	592	363	167	10.0	220-240	50	40	2900
490			493	172					
610			613	176					
						380-420	50	12.5	2900
						460	60	12.5	3450
						380-420	50	17	2900
						460	60	17	3450
						380-420	50	23	2900
						460	60	23	3450



Free flow-immersion pumps

Semi-open impellers

SFT450-1400

Free Flow-Immersion Pumps

series SFT are designed to lift coolant for filtering. Coarse shreds can be transported together with liquids.

The pump inlet and pump discharge port have the same dimensions.

The SFT series offers a flange with pressure gauge connection port. The flange can be rotated for either horizontal or vertical pipe connections.

Applications

- Types of fluid: coolants
- Max. chip to coolant ratio by weight: 1.5 %
- Chip material: Aluminium, steel, coloured steels
- Chip geometry: Flow chips up until 80 mm long
- Kinematic viscosity: ...30 mm²/s (30 cSt)
On request higher viscosity
- Pumping temperature: 0...60° C

Construction

- | | |
|-------------------------|-------------------|
| Pump body | cast iron |
| Cover | special cast iron |
| Impeller | cast steel |
| Shaft | steel |
| Optional: | |
| -CL with axial impeller | cast steel |
| for lower liquid level | |

