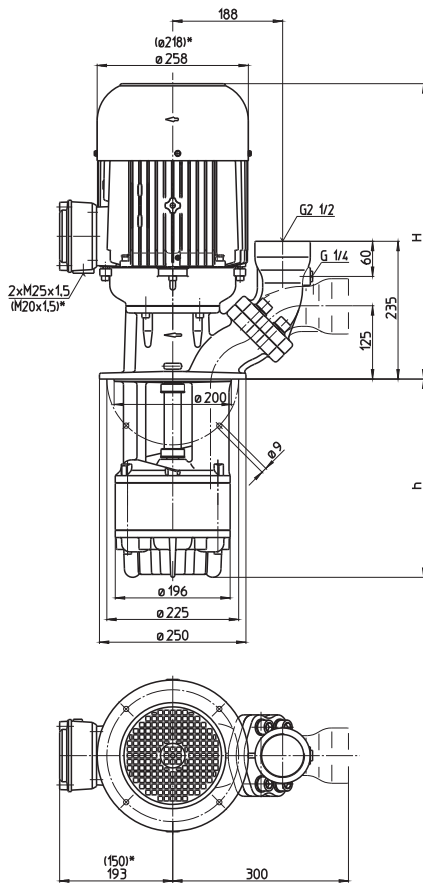


Quick suctioning immersion pumps

Axial/semi-open impellers

SGL1101-1103

SGL1101, 1102 SGL1103



*) Dimensions for SGL1101

Type	Vol. del. at manom. del. head l/min /m	Height H mm	Depth of immersion h mm	Weight kg	Power kW	Voltage 3 ~ V	Fre- quency Hz	Rated current A	Speed 1/min
SGL1101/230	900/10	468	230	58	4.0	220-240	50	16.5	2900
330			330	60					
460			460	62					
580			580	65					
780			780	70					
1010			1010	77					
SGL1102/310	900/21	542	310	96	7.5	220-240	50	29	2900
410			410	99					
540			540	103					
660			660	107					
860			860	112					
1090			1090	119					
SGL1103/390	900/33	592	390	116	10.0	220-240	50	40	2900
490			490	119					
620			620	125					
740			740	127					
940			940	132					
						380-420	50	23	2900
						460	60	23	3450



Quick suctioning immersion pumps

Axial/semi-open impellers

SGL1101-1103

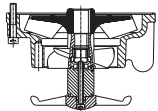
Quick Suctioning Immersion Pumps

series SGL equipped with the patented "BRINKMANN's Suction De-aeration System" are excellently suited to pumping **extremely inflated fluids** (grinding oils) as they occur in **high-speed grinding**.

The quick suctioning immersion pumps reach stable working conditions as soon as the liquid level reaches the suction inlet.

The SGL serie offers a **flange** with pressure gauge connection port.

The flange can be rotated for either horizontal or vertical pipe connections.



The pump SGL1101 is available (upon request) with an additional agitator at the pump suction for breaking up and separating large bundles of chips or birds nests.

Applications

Types of fluid
 water
 coolants
 cooling/cutting oils
 grinding oils
 Kinematic viscosity
 ...90 mm²/s (90 cSt)
 Pumping temperature
 0...80° C

Construction

Pump body	cast iron
Cover	cast iron
Impeller axial	cast steel
Impeller radial	cast steel
Shaft	steel

