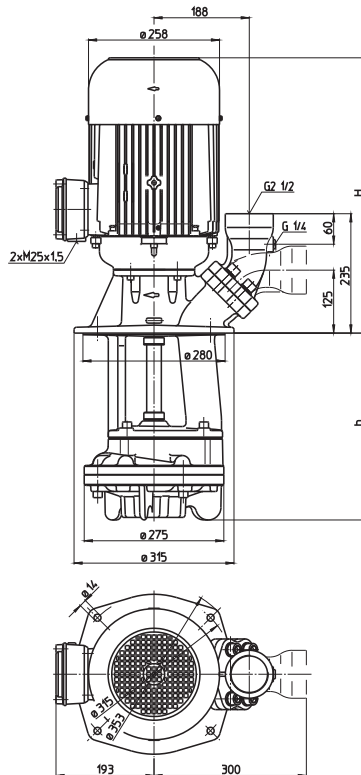


Quick suctioning immersion pumps

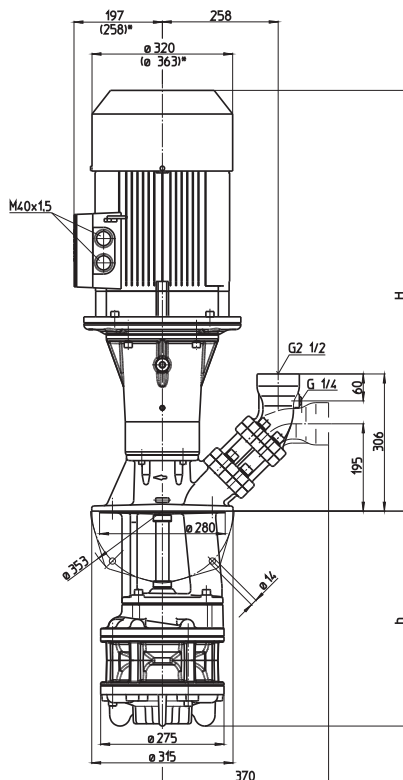
Axial/semi-open impellers

SGL1400-2200

SGL1400...1700



SGL1402...2200



*) Dimensions for SGL1702

Type	Vol. del. at manom. del. head l/min /m	Height H mm	Depth of immersion h mm	Weight kg	Power kW	Voltage 3 ~ V	Fre- quency Hz	Rated current A	Speed 1/min
SGL1400/310	1200/15	542	310	104	7.5	220-240	50	29	2900
440			440	106					
560			560	108					
810			810	114					
1060			1060	116					
SGL1700/310	1500/15	592	310	123	10.0	220-240	50	40	2900
440			440	126					
560			560	128					
810			810	134					
1060			1060	136					
SGL1402/420	1200/35	938	420	182	18.5	400	50	32	2940
550			550	184					
670			670	186					
920			920	192					
1170			1170	194					
SGL1702/420	1500/42	1022	420	245	22.0	400	50	39	2945
550			550	249					
670			670	253					
920			920	262					
1170			1170	266					
SGL2200/340	1800/25	938	340	151	18.5	400	50	32	2940
470			470	153					
590			590	155					
840			840	161					
1090			1090	173					



Quick suctioning immersion pumps

Axial/semi-open impellers

SGL1400-2200

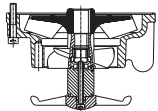
Quick Suctioning Immersion Pumps

series SGL equipped with the patented "BRINKMANN's Suction De-aeration System" are excellently suited to pumping **extremely inflated fluids** (grinding oils) as they occur in **high-speed grinding**.

The quick suctioning immersion pumps reach stable working conditions as soon as the liquid level reaches the suction inlet.

The SGL serie offers a **flange** with pressure gauge connection port.

The flange can be rotated for either horizontal or vertical pipe connections.



The pumps SGL1400, SGL1700 and SGL2200 are available (upon request) with an additional agitator at the pump suction for breaking up and separating large bundles of chips or birds nests.



Applications

Types of fluid
 water
 coolants
 cooling/cutting oils
 grinding oils
 Kinematic viscosity
 ...90 mm²/s (90 cSt)
 Pumping temperature
 0...80° C

Construction

Pump body	cast iron
Cover	cast iron
Impeller axial	cast steel
Impeller radial	cast steel
Shaft	steel

