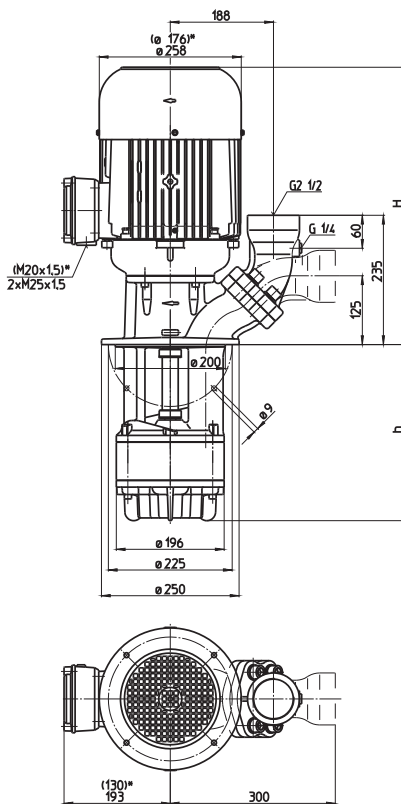


SGL801, 802 SGL803, 804



*) Dimensions for SGL801

Type	Vol. del. at manom. del. head l/min /m	Height H mm	Depth of im- mersion h mm	Weight kg	Power kW	Voltage 3 ~ V	Fre- quency Hz	Rated current A	Speed 1/min
SGL801/220	500/12	429	220	50	2.6	220-240	50	10.9	2850
320			320	52					
450			450	54					
570			570	57					
770			770	62					
1000			1000	69					
SGL802/290	500/25	504	290	83	5.5	220-240	50	22.0	2900
390			390	86					
520			520	90					
640			640	94					
840			840	99					
1070			1070	106					
SGL803/360	500/35	542	360	103	7.5	220-240	50	29	2900
460			460	108					
590			590	112					
710			710	116					
910			910	121					
SGL804/430	500/46	592	430	124	10.0	220-240	50	40	2900
530			530	127					
660			660	131					
780			780	135					
980			980	140					
						380-420	50	6.3	2850
						460	60	6.3	3400
						380-420	50	12.5	2900
						460	60	12.5	3450
						380-420	50	17	2900
						460	60	17	3450
						380-420	50	23	2900
						460	60	23	3450

Quick suctioning immersion pumps

Axial/semi-open impellers

SGL801-804

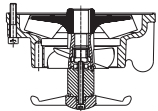
Quick Suctioning Immersion Pumps

series SGL equipped with the patented "BRINKMANN's Suction De-aeration System" are excellently suited to pumping **extremely inflated fluids** (grinding oils) as they occur in **high-speed grinding**.

The quick suctioning immersion pumps reach stable working conditions as soon as the liquid level reaches the suction inlet.

The SGL serie offers a **flange** with pressure gauge connection port.

The flange can be rotated for either horizontal or vertical pipe connections.



The pump SGL801 is available (upon request) with an additional agitator at the pump suction for breaking up and separating large bundles of chips or birds nests.



Applications

Types of fluid
 water
 coolants
 cooling/cutting oils
 grinding oils
 Kinematic viscosity
 ...90 mm²/s (90 cSt)
 Pumping temperature
 0...80° C

Construction

Pump body	cast iron
Cover	cast iron
Impeller axial	cast steel
Impeller radial	cast steel
Shaft	steel

