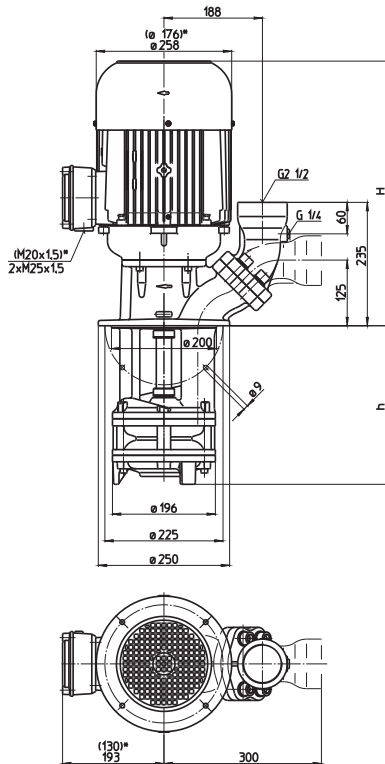
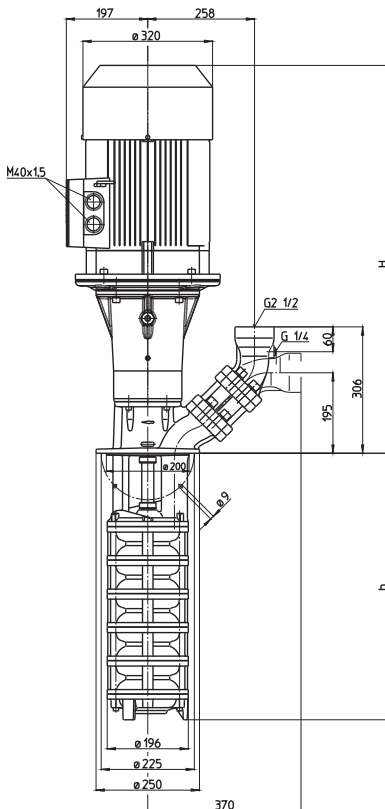


STA1001...1004



STA1006



*) Dimensions for STA1001

Type	Vol. del. at manom. del. head l/min /m	Height H mm	Depth of immersion h mm	Weight kg	Power kW	Voltage 3 ~ V	Fre- quency Hz	Rated current A	Speed 1/min
STA1001/210	600/15	429	210	50	2.6	220-240	50	10.9	2850
310			310	52					
440			440	54					
560			560	57					
760			760	62					
990			990	69					
1110			1110	73					
STA1002/290	600/26	504	290	83	5.5	220-240	50	22.0	2900
390			390	86					
520			520	90					
640			640	94					
840			840	99					
1070			1070	106					
1190			1190	111					
STA1003/370	600/40	542	370	103	7.5	220-240	50	29	2900
470			470	106					
600			600	110					
720			720	114					
920			920	119					
1150			1150	126					
STA1004/450	600/57	592	450	127	10.0	220-240	50	40	2900
550			550	130					
680			680	134					
800			800	138					
1000			1000	143					
1230			1230	150					
STA1006/610	600/86	938	610	168	18.5	400	50	32	2940
710			710	171					
840			840	175					
960			960	179	21.3	460	60	31.5	3540



Immersion Pumps

are plain centrifugal pumps with the impeller fitted on the driving shaft extension. They are mounted on top of the container, the pump extension being immersed in the coolant.

The maximum coolant level must stay a few mm/inches below the mounting flange.

The STA serie offers a **flange** with pressure gauge connection port.

The flange can be rotated for either horizontal or vertical pipe connections.



All types are also available as quick-suctioning immersion pumps equipped with **"BRINKMANN's Suction De-aeration System"**. See series SAL.



All types are also available as suction immersion pump with a connection to the vacuum filters on the suction side. See series STS.



Applications

Types of fluid
coolants
cooling/cutting oils
Kinematic viscosity
...90 mm²/s (90 cSt)
Pumping temperature
0...80° C
higher temperatures upon request

Construction

Pump body	cast iron
Cover	cast iron
Impellers	cast steel
Shaft	steel
Optional:	
Suction cover	with threaded inlet
Other materials	on request
Noise level	
STA1001	63 dBA
STA1002	71 dBA
STA1003...STA1004	74 dBA
STA1006	78 dBA

