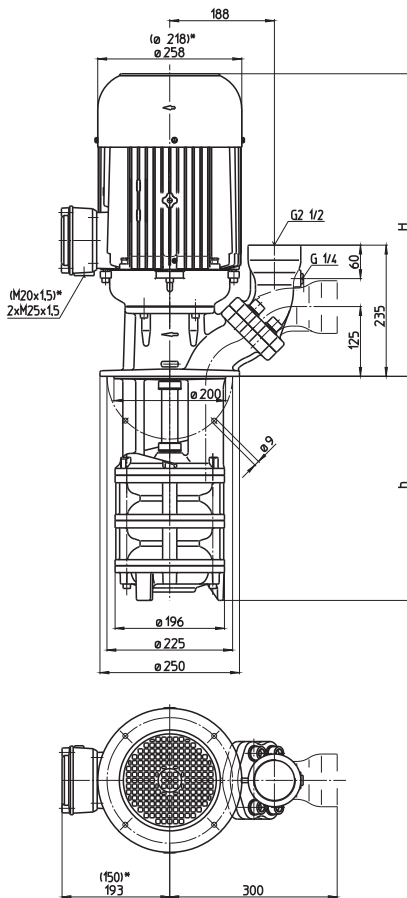


## STA1301, 1302 STA1303



\*) Dimensions for STA1301

Type	Vol. del. at manom. del. head l/min /m	Height H mm	Depth of im- mersion h mm	Weight kg	Power kW	Voltage 3 ~ V	Fre- quency Hz	Rated current A	Speed 1/min
<b>STA1301/210</b>	900/13	468	210	57	4.0	220-240	50	16.5	2900
<b>310</b>			310	59					
<b>440</b>			440	61					
<b>560</b>			560	64					
<b>760</b>			760	69					
<b>990</b>			990	76					
<b>1110</b>			1110	79			60	9.5	3450
<b>STA1302/290</b>	900/28	542	290	95	7.5	220-240	50	29	2900
<b>390</b>			390	98					
<b>520</b>			520	102					
<b>640</b>			640	106					
<b>840</b>			840	111					
<b>1070</b>			1070	118					
<b>STA1303/370</b>	900/42	592	370	115	10.0	220-240	50	40	2900
<b>470</b>			470	118					
<b>600</b>			600	124					
<b>720</b>			720	126					
<b>920</b>			920	131					
<b>1150</b>			1150	138					
						380-420	50	23	2900
						460	60	23	3450

# Immersion pumps semi-open impellers

## STA1301-1303

### Immersion Pumps

are plain centrifugal pumps with the impeller fitted on the driving shaft extension. They are mounted on top of the container, the pump extension being immersed in the coolant.

The maximum coolant level must stay a few mm/inches below the mounting flange.

The STA serie offers a **flange** with pressure gauge connection port.

The flange can be rotated for either horizontal or vertical pipe connections.



All types are also available as quick-suctioning immersion pumps equipped with "**BRINKMANN's Suction De-aeration System**". See series SAL.

### Applications

Types of fluid  
coolants  
cooling/cutting oils  
Kinematic viscosity  
...90 mm<sup>2</sup>/s (90 cSt)  
Pumping temperature  
0...80° C  
higher temperatures upon request

### Construction

Pump body	cast iron
Cover	cast iron
Impellers	cast steel
Shaft	steel
Optional:	
Suction cover	with threaded inlet
Other materials	on request
Noise level	
STA1301	71 dBA
STA1302...STA1303	74 dBA

