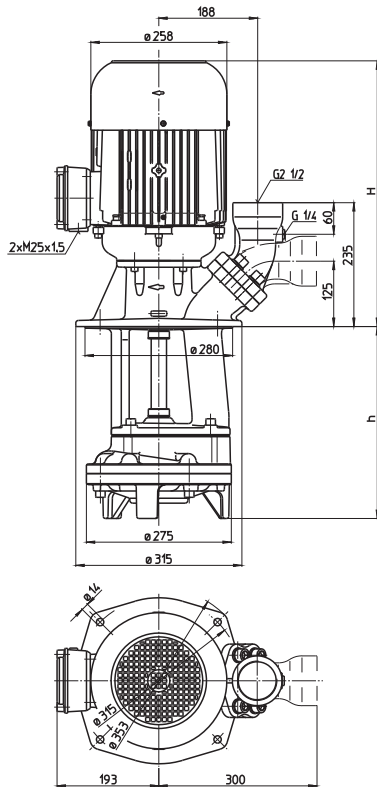
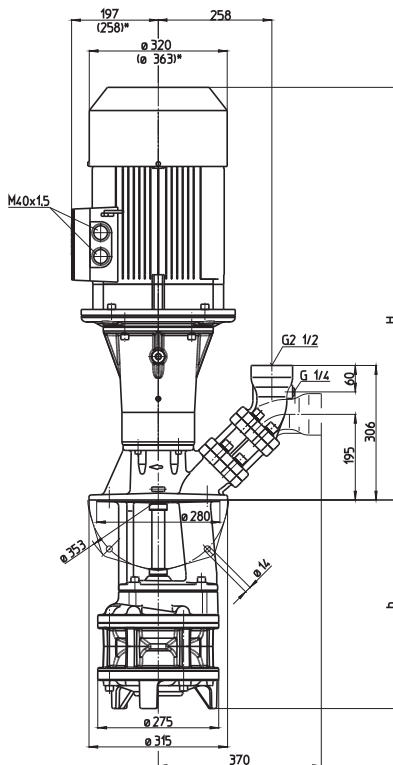


## STA1600, 2000



## STA1602...2500



\*) Dimensions for STA2002

Type	Vol. del. at manom. del. head l/min /m	Height H mm	Depth of immersion h mm	Weight kg	Power kW	Voltage 3 ~ V	Fre- quency Hz	Rated current A	Speed 1/min
<b>STA1600/300</b>	1300/15	542	300	100	7.5	220-240	50	29	2900
<b>430</b>			430	102					
<b>550</b>			550	104					
<b>800</b>			800	110					
<b>1050</b>			1050	112					
<b>STA2000/300</b>	1600/15	592	300	119	10.0	220-240	50	40	2900
<b>430</b>			430	121					
<b>550</b>			550	124					
<b>800</b>			800	130					
<b>1050</b>			1050	132					
<b>STA1602/410</b>	1300/37	938	410	178	18.5	400	50	32	2940
<b>540</b>			540	180					
<b>660</b>			660	182					
<b>910</b>			910	188	21.3	460	60	31.5	3540
<b>1160</b>			1160	190					
<b>STA2002/410</b>	1600/47	1022	410	241	22.0	400	50	39	2945
<b>540</b>			540	245					
<b>660</b>			660	249					
<b>910</b>			910	258	24.5	460	60	37	3545
<b>1160</b>			1160	262					
<b>STA2500/330</b>	2200/20	938	330	147	18.5	400	50	32	2940
<b>460</b>			460	149					
<b>580</b>			580	151					
<b>830</b>			830	167	21.3	460	60	31.5	3540
<b>1080</b>			1080	169					



# Immersion pumps semi-open impellers

## STA1600-2500

### Immersion Pumps

are plain centrifugal pumps with the impeller fitted on the driving shaft extension. They are mounted on top of the container, the pump extension being immersed in the coolant.

The maximum coolant level must stay a few mm/inches below the mounting flange.

The STA serie offers a **flange** with pressure gauge connection port.

The flange can be rotated for either horizontal or vertical pipe connections.



All types are also available as quick-suctioning immersion pumps equipped with **"BRINKMANN's Suction De-aeration System"**. See series SAL.



### Applications

Types of fluid  
coolants  
cooling/cutting oils  
Kinematic viscosity  
...90 mm<sup>2</sup>/s (90 cSt)  
Pumping temperature  
0...80° C

### Construction

Pump body	cast iron
Cover	cast iron
Impeller	cast steel
Shaft	steel
Other materials	on request

Noise level	
STA1600...STA2000	74 dBA
STA1602...STA2500	78 dBA

