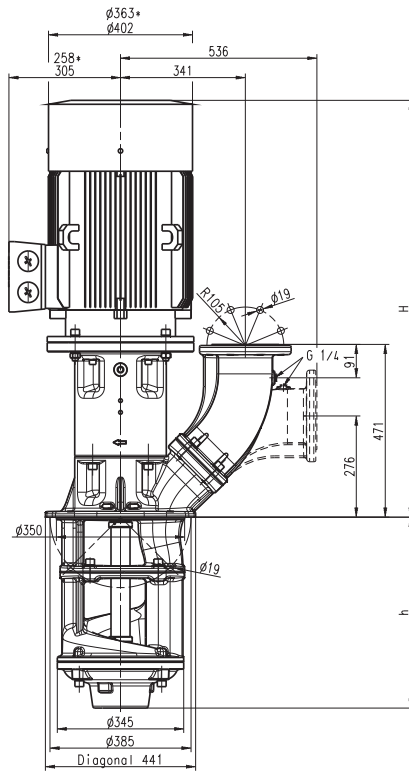


STA3600, 4500



*) Dimensions for STA3600

Type	Vol. del. at manom. del. head l/min /m	Height H mm	Depth of im- mersion h mm	Weight kg	Power kW	Voltage 3 ~ V	Fre- quency Hz	Rated current A	Speed 1/min
STA3600/520	3500/20	1085	521	323	22.0	400	50	39	2945
720			721	338					
920			921	353	24.5	460	60	37	3545
1270			1271	418					
2020			2021	493					
2220			2221	508					
STA4500/520	4500/30	1138	521	403	37.0	400	50	65	2950
720			721	418					
920			921	433	41.5	460	60	62	3550
1270			1271	498					
2020			2021	573					
2220			2221	588					

Immersion pumps semi-open impellers

STA 3600-4500

Immersion Pumps

are plain centrifugal pumps with the impeller fitted on the driving shaft extension. They are mounted on top of the container, the pump extension being immersed in the coolant.

The maximum coolant level must stay a few mm/inches below the mounting flange.

The STA serie offers a **flange** with pressure gauge connection port.

The flange can be rotated for either horizontal or vertical pipe connections.

Applications

Types of fluid
coolants
cooling/cutting oils
Kinematic viscosity
...90 mm²/s (90 cSt)
Pumping temperature
0...80° C

Construction

Pump body	cast iron
Cover	cast iron
Impeller	cast steel
Shaft	steel
Other materials	on request
Noise level	
STA3600	82 dBA
STA4500	84 dBA

