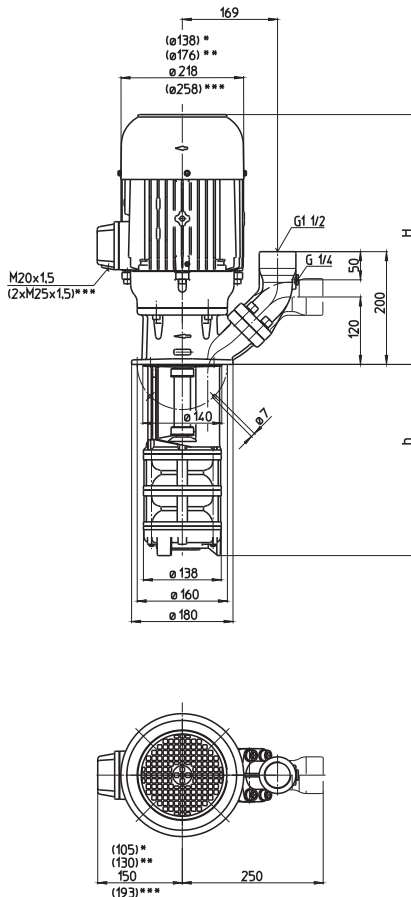


STA601...609



- *) Dimensions for STA601
 **) Dimensions for STA602
 ***) Dimensions for STA605, 607, 609

Type	Vol. del. at manom. del. head l/min /m	Height H mm	Depth of im- mersion h mm	Weight kg	Power kW	Voltage 3 ~ V	Fre- quency Hz	Rated current A	Speed 1/min
STA601/130	400/4	311	130	16	0.92	220-240 380-420 460	50 50 60	4.7 2.7 2.7	2700 2700 3300
210			210	17					
280			280	18					
360			360	19					
450			450	20					
560			560	21					
760			760	25					
910			910	26					
STA602/200	400/11	395	195	34	2.2	220-240 380-420 460	50 50 60	9.2 5.3 5.3	2850 2850 3400
280			275	35					
350			345	36					
430			425	37					
520			515	38					
630			625	40					
830			825	42					
980			975	43					
STA603/260	400/17	445	260	49	3.3	220-240 380-420 460	50 50 60	13.8 8.0 8.0	2900 2900 3450
340			340	50					
410			410	51					
490			490	52					
580			580	53					
690			690	54					
890			890	56					
1040			1040	57					
STA604/330	400/23	445	325	54	4.0	220-240 380-420 460	50 50 60	16.5 9.5 9.5	2900 2900 3450
410			405	55					
480			475	56					
560			555	57					
650			645	58					
760			755	59					
960			955	61					
1110			1105	62					
STA605/390	400/32	480	390	72	5.5	220-240 380-420 460	50 50 60	22.0 12.5 12.5	2900 2900 3450
470			470	73					
540			540	74					
620			620	75					
710			710	76					
820			820	77					
1020			1020	78					
STA607/520	400/45	520	520	90	7.5	220-240 380-420 460	50 50 60	29 17 17	2900 2900 3450
600			600	91					
670			670	92					
750			750	93					
840			840	94					
950			950	95					
STA609/650	400/62	570	650	109	10.0	220-240 380-420 460	50 50 60	40 23 23	2900 2900 3450
730			730	110					
800			800	111					
880			880	112					
980			980	113					
1080			1080	114					

Immersion pumps semi-open impellers

STA601-609

Immersion Pumps

are plain centrifugal pumps with the impeller fitted on the driving shaft extension. They are mounted on top of the container, the pump extension being immersed in the coolant.

The maximum coolant level must stay a few mm/inches below the mounting flange.

The STA serie offers a **(SAE) flange** with pressure gauge connection port.

The flange can be rotated for either horizontal or vertical pipe connections.



All types are also available as quick-suctioning immersion pumps equipped with **"BRINKMANN's Suction De-aeration System"**. See series SAL.



All types are also available as suction immersion pump with a connection to the vacuum filters on the suction side. See series STS.



Applications

Types of fluid
coolants
cooling/cutting oils
Kinematic viscosity
...90 mm²/s (90 cSt)
Pumping temperature
0...80° C
higher temperatures upon request

Construction

Pump body	cast iron
Cover	cast iron
Impellers	brass
Shaft	steel
Optional:	
Suction cover	with threaded inlet
Impellers	cast steel
Noise level	
STA601	62 dBA
STA602	66 dBA
STA603...STA605	71 dBA
STA607...STA609	74 dBA

