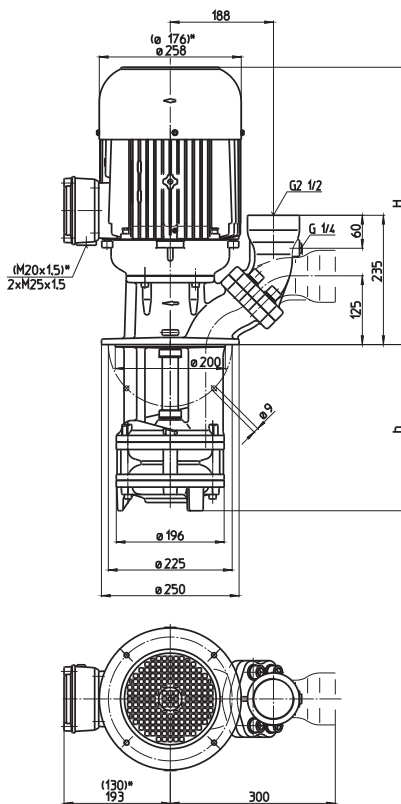


STA901, 902 STA903, 904



*) Dimensions for STA901

Type	Vol. del. at manom. del. head l/min /m	Height H mm	Depth of im- mersion h mm	Weight kg	Power kW	Voltage 3 ~ V	Fre- quency Hz	Rated current A	Speed 1/min
STA901/200	600/12	429	200	49	2.6	220-240	50	10.9	2850
300			300	51					
430			430	53					
550			550	56					
750			750	61					
980			980	68					
1100			1100	72					
STA902/270	600/24	504	270	82	5.5	220-240	50	22.0	2900
370			370	85					
500			500	89					
620			620	93					
820			820	98					
1050			1050	105					
1170			1170	113					
STA903/340	600/38	542	340	102	7.5	220-240	50	29	2900
440			440	105					
570			570	109					
690			690	113					
890			890	118					
1120			1120	125					
STA904/410	600/55	592	410	121	10.0	220-240	50	40	2900
510			510	124					
640			640	128					
760			760	132					
960			960	137					
1190			1190	142					
						380-420	50	6.3	2850
						460	60	6.3	3400
						380-420	50	12.5	2900
						460	60	12.5	3450
						380-420	50	17	2900
						460	60	17	3450
						380-420	50	23	2900
						460	60	23	3450

Immersion Pumps

are plain centrifugal pumps with the impeller fitted on the driving shaft extension. They are mounted on top of the container, the pump extension being immersed in the coolant.

The maximum coolant level must stay a few mm/inches below the mounting flange.

The STA serie offers a **flange** with pressure gauge connection port.

The flange can be rotated for either horizontal or vertical pipe connections.



All types are also available as quick-suctioning immersion pumps equipped with **"BRINKMANN's Suction De-aeration System"**. See series SAL.



Applications

Types of fluid
coolants
cooling/cutting oils
Kinematic viscosity
...90 mm²/s (90 cSt)
Pumping temperature
0...80° C
higher temperatures upon request

Construction

Pump body	cast iron
Cover	cast iron
Impellers	cast steel
Shaft	steel
Optional:	
Suction cover	with threaded inlet
Other materials	on request
Noise level	
STA901	66 dBA
STA902	71 dBA
STA903...STA904	74 dBA

