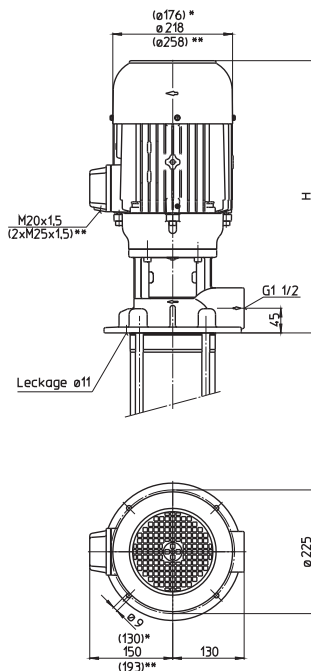
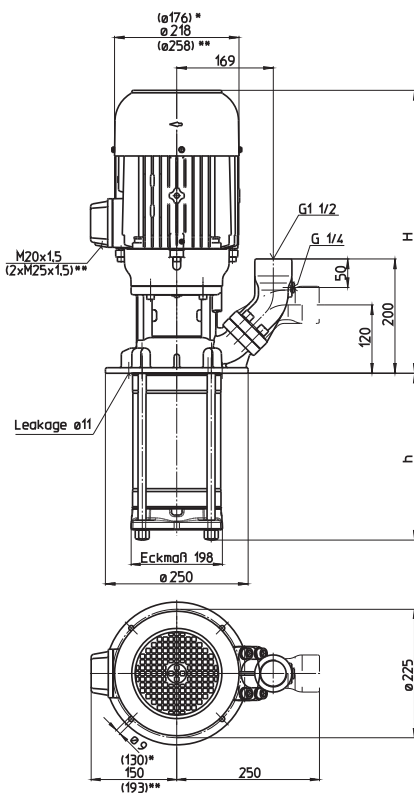


## TH1102...1115



## STH1102...1115



\*) Dimensions for (S)TH1102...1104

\*\*) Dimensions for (S)TH1107...1115

Type	Vol. del. at manom. del. head l/min / m	Height H mm	Depth of immersion h mm	Weight kg	Power kW	Voltage 3 ~ V	Fre- quency Hz	Rated current A	Speed 1/min
(S)TH1102B180	150/30	406	182	34	1.3	460	60	3	3400
(S)TH1103B180	150/45	431	182	38	1.5	460	60	3.8	3400
(S)TH1104B280	150/59	441	278	41	2.6	460	60	6.3	3400
(S)TH1105B280	150/77	496	278	52	3.3	460	60	8	3450
(S)TH1106B280	150/90	496	278	55	4.0	460	60	9.5	3450
(S)TH1107B310	150/106	532	310	72	5.0	460	60	12	3450
(S)TH1108B380	150/121		374	74					
(S)TH1109B380	150/138	532	374	75	5.5	460	60	12.5	3450
(S)TH1110B470	150/152	570	470	84	7.5	460	60	17	3450
(S)TH1111B470	150/166			85					
(S)TH1112B470	150/180			86					
(S)TH1113B500	150/198		502	87					
(S)TH1114B570	150/212	620	566	103	10.0	460	60	23	3450
(S)TH1115B570	150/230			104					

# Immersion pumps

## Closed impellers

# (S)TH11 - 60 Hz

### Immersion Pumps

Series TH and FH use **closed impellers** in order to minimize power consumption and to optimize hydraulic pump efficiencies.

In addition, the TH series offers high pressures at short immersion depths.

Inline pumps of the series FH can be used as **boosting pumps** if provided with positive inlet pressure. This inlet pressure can be provided by the central coolant supply or a feed pump. In such a setup, pumps of the series FH can raise the incoming pressure by up to 26 bar.

**Extended length is possible.** See mechanical/hydraulic features within the technical information section.

### Applications

Types of fluid  
 water  
 coolants  
 cooling/cutting oils  
 Kinematic viscosity  
 ...25 mm<sup>2</sup>/s (25 cSt)  
 Pumping temperature  
 0...80° C

**60 Hz**

### Construction

Pump body	cast iron
Cover	cast iron
Impellers	CrNi-steel
Shaft	CrNi-steel
Diffusers	CrNi-steel
Mechanical seal	SiC
O-rings	Viton
Optional:	
Pole-changing motor	4 - 2 poles

Noise level	
(S)TH1102...(S)TH1104	66 dBA
(S)TH1105...(S)TH1109	74 dBA
(S)TH1110...(S)TH1115	77 dBA

