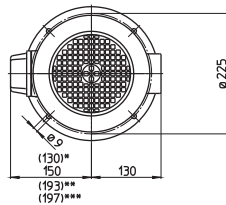
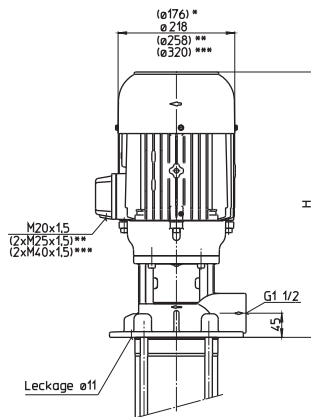
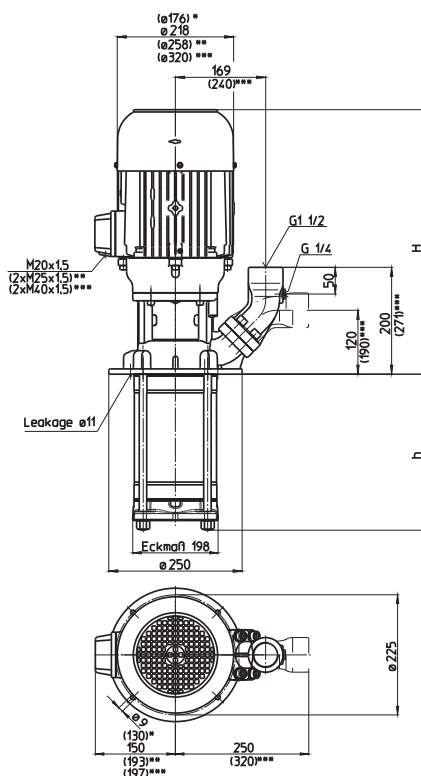


TH1402...1412



STH1402...1412



*) Dimensions for (S)TH1402

**) Dimensions for (S)TH1404...1408

**) Dimensions for (S)TH1409...1412

Type	Vol. del. at manom. del. head l/min / m	Height H mm	Depth of immersion h mm	Weight kg	Power kW	Voltage 3 ~ V	Fre- quency Hz	Rated current A	Speed 1/min
(S)TH1402B180	250/38	441	182	39	2.6	460	60	6.3	3400
(S)TH1403B280	250/58	496	278	54	4.0	460	60	9.5	3450
(S)TH1404B280	250/77	532	278	72	5.5	460	60	12.5	3450
(S)TH1405B380	250/96	570	374	81	7.5	460	60	17	3450
(S)TH1406B380	250/111			82					
(S)TH1407B470	250/128	620	470	99	10.0	460	60	23	3450
(S)TH1408B470	250/147			100					
(S)TH1409B570	250/165	926	566	120	17.3	460	60	26	3545
(S)TH1410B570	250/184			121					
(S)TH1411B660	250/203		662	123					
(S)TH1412B660	250/222			124					



Immersion pumps

Closed impellers

(S)TH14 - 60 Hz

Immersion Pumps

series TH and FH use **closed impellers** in order to minimize power consumption and to optimize hydraulic pump efficiencies. In addition, the TH series offers high pressures at short immersion depths.

Inline pumps of the series FH can be used as **boosting pumps** if provided with positive inlet pressure. This inlet pressure can be provided by the central coolant supply or a feed pump. In such a setup, pumps of the series FH can raise the incoming pressure by up to 26 bar.

Extended length is possible. See mechanical/hydraulic features within the technical information section.

Applications

Types of fluid
 water
 coolants
 cooling/cutting oils
 Kinematic viscosity
 ...25 mm²/s (25 cSt)
 Pumping temperature
 0...80° C

60 Hz

Construction

Pump body	cast iron
Cover	cast iron
Impellers	CrNi-steel
Shaft	CrNi-steel
Diffusers	CrNi-steel
Mechanical seal	SiC
O-rings	Viton
Optional:	
Pole-changing motor	4 - 2 poles
Noise level	
(S)TH1402	66 dBA
(S)TH1403...(S)TH1404	74 dBA
(S)TH1405...(S)TH1408	77 dBA
(S)TH1409...(S)TH1412	81 dBA

