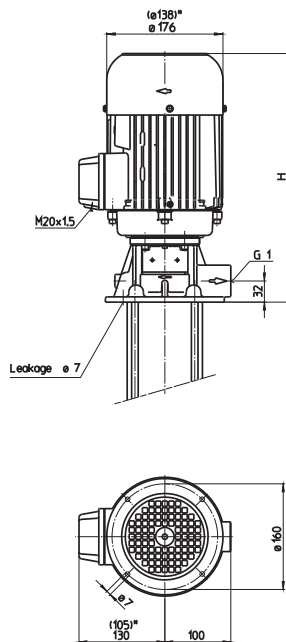
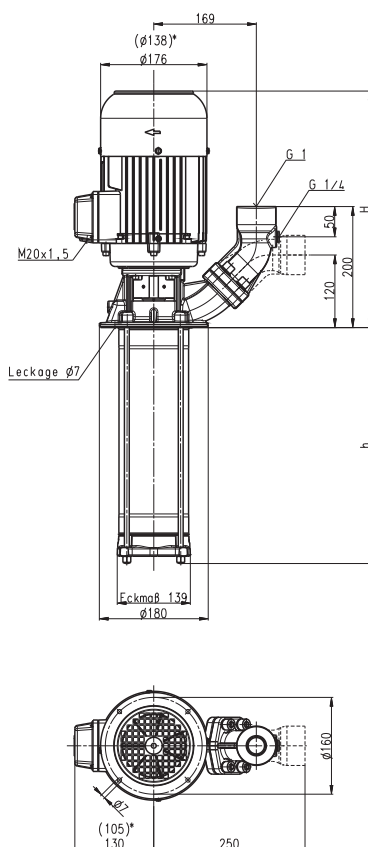


TH203...231



STH203...231



*) Dimensions for (S)TH203...(S)TH215

Type	Vol. del. at manom. del. head l/min / m	Height H mm	Depth of immersion h mm	Weight kg	Power kW	Voltage 3 ~ V	Fre- quency Hz	Rated current A	Speed 1/min
(S)TH203B190	20/25	291	190	14.4	0.45	460	60	1.1	3200
(S)TH204B190	20/30			14.5					
(S)TH205B190	20/40	291	190	14.9	0.54	460	60	1.4	3300
(S)TH206B190	20/50			15.0					
(S)TH207B290	20/57	309	290	16.8	0.75	460	60	2.2	3300
(S)TH208B290	20/64			16.9					
(S)TH209B290	20/74			17.0					
(S)TH210B290	20/81			17.1					
(S)TH211B290	20/90	309	290	18.0	0.92	460	60	2.7	3300
(S)TH212B390	20/98		390	18.5					
(S)TH213B390	20/106			18.6					
(S)TH214B390	20/113	329	390	19.6	1.1	460	60	2.9	3300
(S)TH215B390	20/119			19.7					
(S)TH216B390	20/127	352	390	27	1.3	460	60	3	3400
(S)TH217B490	20/136	352	490	28.0	1.5	460	60	3.8	3400
(S)TH218B490	20/146			28.1					
(S)TH219B490	20/156			28.2					
(S)TH220B490	10/164	352	490	28.7	1.7	460	60	4.1	3400
(S)TH221B490	20/172			28.8					
(S)TH222B590	20/182	376	590	33.2	1.9	460	60	4.9	3400
(S)TH223B590	20/191			33.3					
(S)TH224B590	20/200	376	590	33.9	2.2	460	60	5.3	3400
(S)TH225B590	20/208			34.0					
(S)TH226B590	20/216			34.1					
(S)TH227B690	20/224		690	34.6					
(S)TH228B690	20/231	386	690	35.2	2.6	460	60	6.3	3400
(S)TH229B690	20/238			35.3					
(S)TH230B690	20/245			35.4					
(S)TH231B690	20/252			35.5					

Immersion pumps

Closed impellers

(S)TH2 - 60 Hz

Immersion Pumps

series TH and FH use **closed impellers** in order to minimize power consumption and to optimize hydraulic pump efficiencies. In addition, the TH series offers high pressures at short immersion depths. Inline pumps of the series FH can be used as **boosting pumps** if provided with positive inlet pressure. This inlet pressure can be provided by the central coolant supply or a feed pump. In such a setup, pumps of the series FH can raise the incoming pressure by up to 26 bar.

Extended length is possible. See mechanical/hydraulic features within the technical information section.

Applications

Types of fluid
 water
 coolants
 cooling/cutting oils
 Kinematic viscosity
 ...25 mm²/s (25 cSt)
 Pumping temperature
 0...80° C

60 Hz

Construction

Pump body	cast iron
Cover	cast iron
Impellers	CrNi-steel
Shaft	CrNi-steel
Diffusers	CrNi-steel
Mechanical seal	SiC
O-rings	Viton
Optional:	
Pole-changing motor	4 - 2 poles
Pump body	bronze
Cover	bronze
Noise level	
(S)TH203...(S)TH215	61 dBA
(S)TH216...(S)TH231	66 dBA

