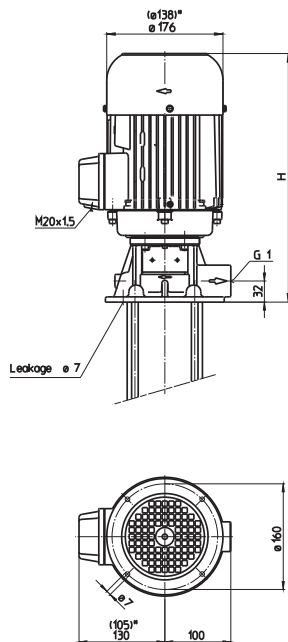
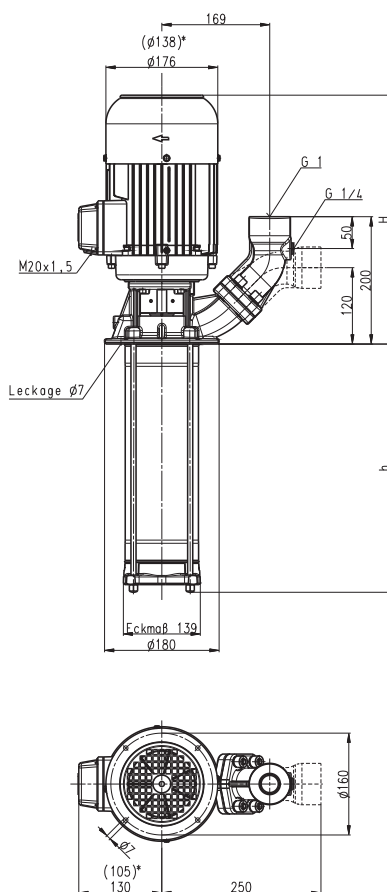


### TH203...241



### STH203...241



\*) Dimensions for (S)TH203...(S)TH223

Type	Vol. del. at manom. del. head l/min / m	Height H mm	Depth of immersion h mm	Weight kg	Power kW	Voltage 3 ~ V	Fre- quency Hz	Rated current A	Speed 1/min
(S)TH203A190	20/15	291	190	14.4	0.45	220-240 380-420	50	1.9	2800
(S)TH204A190	20/20			14.5					
(S)TH205A190	20/25			14.6					
(S)TH206A190	20/30			14.7					
(S)TH207A290	20/35		290	15.2	0.54	220-240 380-420	50	2.42	2800
(S)TH208A290	20/40	291	290	15.6					
(S)TH209A290	20/45			15.7					
(S)TH210A290	20/50			15.8					
(S)TH211A290	20/56			15.9	0.75	220-240 380-420	50	3.8	2700
(S)TH212A390	20/60	309	390	18.1					
(S)TH213A390	20/68			18.2					
(S)TH214A390	20/75			18.3					
(S)TH215A390	20/82	309	390	19.2	0.92	220-240 380-420	50	4.7	2700
(S)TH216A390	20/88			19.3					
(S)TH217A490	20/93		490	19.8					
(S)TH218A490	20/98			19.9					
(S)TH219A490	20/102	329	490	20.9	1.1	220-240 380-420	50	5.0	2700
(S)TH220A490	20/108			21.0					
(S)TH221A490	20/112			21.1					
(S)TH222A590	20/118		590	21.6					
(S)TH223A590	20/125			21.7	1.3	220-240 380-420	50	5.2	2850
(S)TH224A590	20/130	352	590	29.0					
(S)TH225A590	20/135			29.1					
(S)TH226A590	20/142	352	590	29.7					
(S)TH227A690	20/150		690	30.2	1.5	220-240 380-420	50	6.6	2850
(S)TH228A690	20/155			30.3					
(S)TH229A690	20/160	352	690	30.8					
(S)TH230A690	20/166			30.9					
(S)TH231A690	20/172			31.0	1.7	220-240 380-420	50	7.1	2850
(S)TH232A790	20/178		790	31.5					
(S)TH233A790	20/182			31.6					
(S)TH234A790	20/190	376	790	35.6					
(S)TH235A790	20/195			35.7	1.9	220-240 380-420	50	8.5	2850
(S)TH236A790	20/200			35.8					
(S)TH237A890	20/205	376	890	36.8					
(S)TH238A890	20/210			36.9					
(S)TH239A890	20/215			37.0	2.2	220-240 380-420	50	9.2	2850
(S)TH240A890	20/220			37.1					
(S)TH241A890	20/225			37.2					

# Immersion pumps

## Closed impellers

(S)TH2

### Immersion Pumps

series TH and FH use **closed impellers** in order to minimize power consumption and to optimize hydraulic pump efficiencies. In addition, the TH series offers high pressures at short immersion depths.

Inline pumps of the series FH can be used as **boosting pumps** if provided with positive inlet pressure. This inlet pressure can be provided by the central coolant supply or a feed pump. In such a setup, pumps of the series FH can raise the incoming pressure by up to 26 bar.

**Extended length is possible.** See mechanical/hydraulic features within the technical information section.

### Applications

Types of fluid  
 water  
 coolants  
 cooling/cutting oils  
 Kinematic viscosity  
 ...25 mm<sup>2</sup>/s (25 cSt)  
 Pumping temperature  
 0...80° C

50 Hz

### Construction

Pump body	cast iron
Cover	cast iron
Impellers	CrNi-steel
Shaft	CrNi-steel
Diffusers	CrNi-steel
Mechanical seal	SiC
O-rings	Viton
Optional:	
Pole-changing motor	4 - 2 poles
Pump body	bronze
Cover	bronze

Noise level	
(S)TH203...(S)TH223	58 dBA
(S)TH224...(S)TH241	63 dBA

