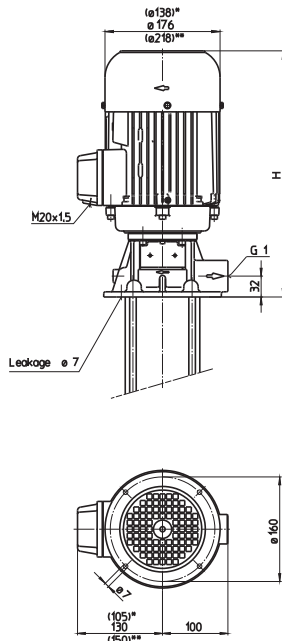
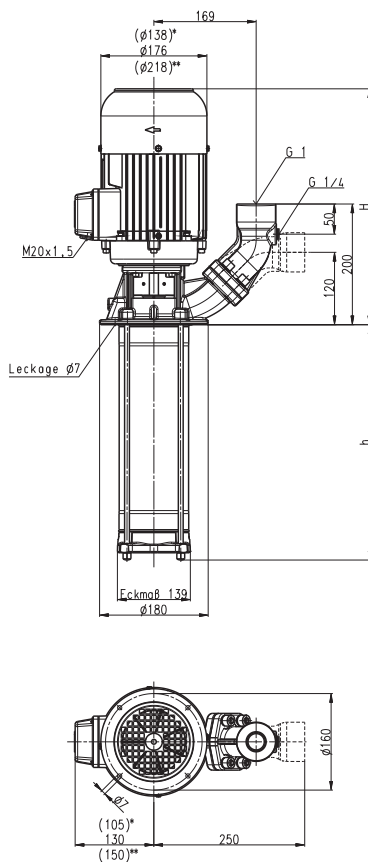


TH403...436



STH403...436



*) Dimensions for (S)TH403...(S)TH413

**) Dimensions for (S)TH414...(S)TH436

Type	Vol. del. at manom. del. head l/min / m	Height H mm	Depth of immersion h mm	Weight kg	Power kW	Voltage 3 ~ V	Fre- quency Hz	Rated current A	Speed 1/min
(S)TH403A190	40/18	291	190	14.4	0.45	220-240	50	1.9	2800
(S)TH404A190	40/25			14.5		380-420	50	1.1	2800
(S)TH405A190	40/30	291	190	14.9	0.54	220-240	50	2.42	2800
(S)TH406A190	40/36			15.0		380-420	50	1.40	2800
(S)TH407A290	40/42	309	290	17.8	0.75	220-240	50	3.8	2700
(S)TH408A290	40/50			17.9		380-420	50	2.2	2700
(S)TH409A290	40/56			18.0					
(S)TH410A290	40/62	309	290	19.0	0.92	220-240	50	4.7	2700
(S)TH411A290	40/68			19.1		380-420	50	2.7	2700
(S)TH412A390	40/74	329	390	20.5	1.1	220-240	50	5.0	2700
(S)TH413A390	40/80			20.6		380-420	50	2.9	2700
(S)TH414A390	40/86	352	390	27.9	1.3	220-240	50	5.2	2850
						380-420	50	3.0	2850
(S)TH415A390	40/95	352	390	28.5	1.5	220-240	50	6.6	2850
(S)TH416A390	40/104			28.6		380-420	50	3.8	2850
(S)TH417A490	40/112	352	490	29.1	1.7	220-240	50	7.1	2850
(S)TH418A490	40/118			29.2		380-420	50	4.1	2850
(S)TH419A490	40/125	376	490	33.3	1.9	220-240	50	8.5	2850
(S)TH420A490	40/130			33.4		380-420	50	4.9	2850
(S)TH421A490	40/136	376	490	34.0	2.2	220-240	50	9.2	2850
						380-420	50	5.3	2850
(S)TH422A590	40/142		590	34.5					
(S)TH423A590	40/150			34.6					
(S)TH424A590	40/156			34.7					
(S)TH425A590	40/162	386	590	35.3	2.6	220-240	50	10.9	2850
(S)TH426A590	40/168			35.4		380-420	50	6.3	2850
(S)TH427A690	40/175		690	36.0					
(S)TH428A690	40/182			36.1					
(S)TH429A690	40/190			36.2					
(S)TH430A690	40/198			36.3					
(S)TH431A690	40/208			36.4					
(S)TH432A790	40/216	441	790	47.0	3.3	220-240	50	13.8	2900
(S)TH433A790	40/220			47.1		380-420	50	8.0	2900
(S)TH434A790	40/230			47.2					
(S)TH435A790	40/240			47.3					
(S)TH436A790	40/248			47.4					

Immersion pumps

Closed impellers

(S)TH4

Immersion Pumps

series TH and FH use **closed impellers** in order to minimize power consumption and to optimize hydraulic pump efficiencies. In addition, the TH series offers high pressures at short immersion depths.

Inline pumps of the series FH can be used as **boosting pumps** if provided with positive inlet pressure. This inlet pressure can be provided by the central coolant supply or a feed pump. In such a setup, pumps of the series FH can raise the incoming pressure by up to 26 bar.

Extended length is possible. See mechanical/hydraulic features within the technical information section.

Applications

Types of fluid
 water
 coolants
 cooling/cutting oils
 Kinematic viscosity
 ...25 mm²/s (25 cSt)
 Pumping temperature
 0...80° C

50 Hz

Construction

Pump body	cast iron
Cover	cast iron
Impellers	CrNi-steel
Shaft	CrNi-steel
Diffusers	CrNi-steel
Mechanical seal	SiC
O-rings	Viton
Optional:	
Pole-changing motor	4 - 2 poles
Pump body	bronze
Cover	bronze

Noise level

(S)TH403...(S)TH413	58 dBA
(S)TH414...(S)TH431	63 dBA
(S)TH432...(S)TH436	71 dBA

