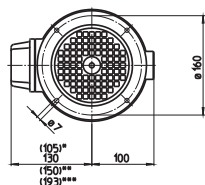
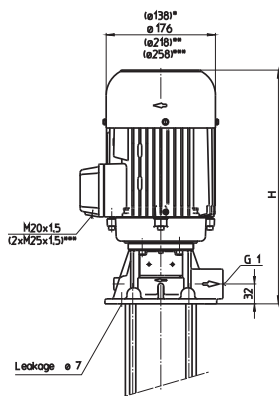
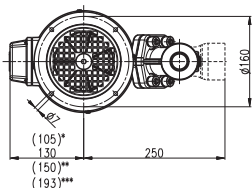
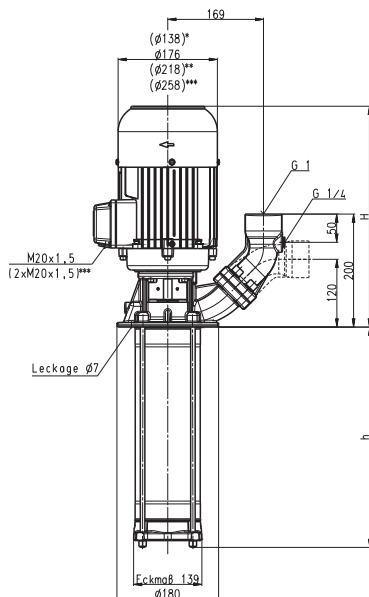


## TH603...632



## STH603...632



- \*) Dimensions for (S)TH603...(S)TH608  
 \*\*) Dimensions for (S)TH619...(S)TH626  
 \*\*\*) Dimensions for (S)TH627...(S)TH632

Type	Vol. del. at manom. del. head l/min / m	Height H mm	Depth of immersion h mm	Weight kg	Power kW	Voltage 3 ~ V	Fre- quency Hz	Rated current A	Speed 1/min
(S)TH603A190	80/18	291	190	14.7	0.54	220-240 380-420	50 50	2.42 1.40	2800 2800
(S)TH604A190	80/24	309	190	16.5	0.75	220-240 380-420	50 50	3.8 2.2	2700 2700
(S)TH605A240	80/30		240	16.8					
(S)TH606A240	80/36	309	240	17.7	0.92	220-240 380-420	50 50	4.7 2.7	2700 2700
(S)TH607A290	80/41		290	18.0					
(S)TH608A290	80/48	329	290	19	1.1	220-240 380-420	50 50	5.0 2.9	2700 2700
(S)TH609A340	80/56	352	340	26.5	1.5	220-240 380-420	50 50	6.6 3.8	2850 2850
(S)TH610A340	80/61			26.6					
(S)TH611A390	80/71	352	390	30.9	1.7	220-240 380-420	50 50	7.1 4.1	2850 2850
(S)TH612A390	80/76	376	390	35	1.9	220-240 380-420	50 50	8.5 4.9	2850 2850
(S)TH613A490	80/82	376	490	35.5	2.2	220-240 380-420	50 50	9.2 5.3	2850 2850
(S)TH614A490	80/90			35.6					
(S)TH615A490	80/96			35.7					
(S)TH616A490	80/101	386	490	36.3	2.6	220-240 380-420	50 50	10.9 6.3	2850 2850
(S)TH617A590	80/108		590	36.8					
(S)TH618A590	80/114			40.0					
(S)TH619A590	80/120	441	590	50.6	3.3	220-240 380-420	50 50	13.8 8.0	2900 2900
(S)TH620A590	80/128			50.7					
(S)TH621A690	80/136		690	51.2					
(S)TH622A690	80/142			51.3					
(S)TH623A690	80/150	441	690	53.8	4.0	220-240 380-420	50 50	16.5 9.5	2900 2900
(S)TH624A690	80/155			53.9					
(S)TH625A790	80/160		790	54.5					
(S)TH626A790	80/166			54.6					
(S)TH627A790	80/172	477	790	71.2	5.0	220-240 380-420	50 50	20.8 12.0	2900 2900
(S)TH628A790	80/180			71.3					
(S)TH629A890	80/186		890	71.8					
(S)TH630A890	80/192			71.9					
(S)TH631A890	80/200			72.0					
(S)TH632A890	80/206			72.1					



# Immersion pumps

## Closed impellers

(S)TH6

### Immersion Pumps

series TH and FH use **closed impellers** in order to minimize power consumption and to optimize hydraulic pump efficiencies. In addition, the TH series offers high pressures at short immersion depths.

Inline pumps of the series FH can be used as **boosting pumps** if provided with positive inlet pressure. This inlet pressure can be provided by the central coolant supply or a feed pump. In such a setup, pumps of the series FH can raise the incoming pressure by up to 26 bar.

**Extended length is possible.** See mechanical/hydraulic features within the technical information section.

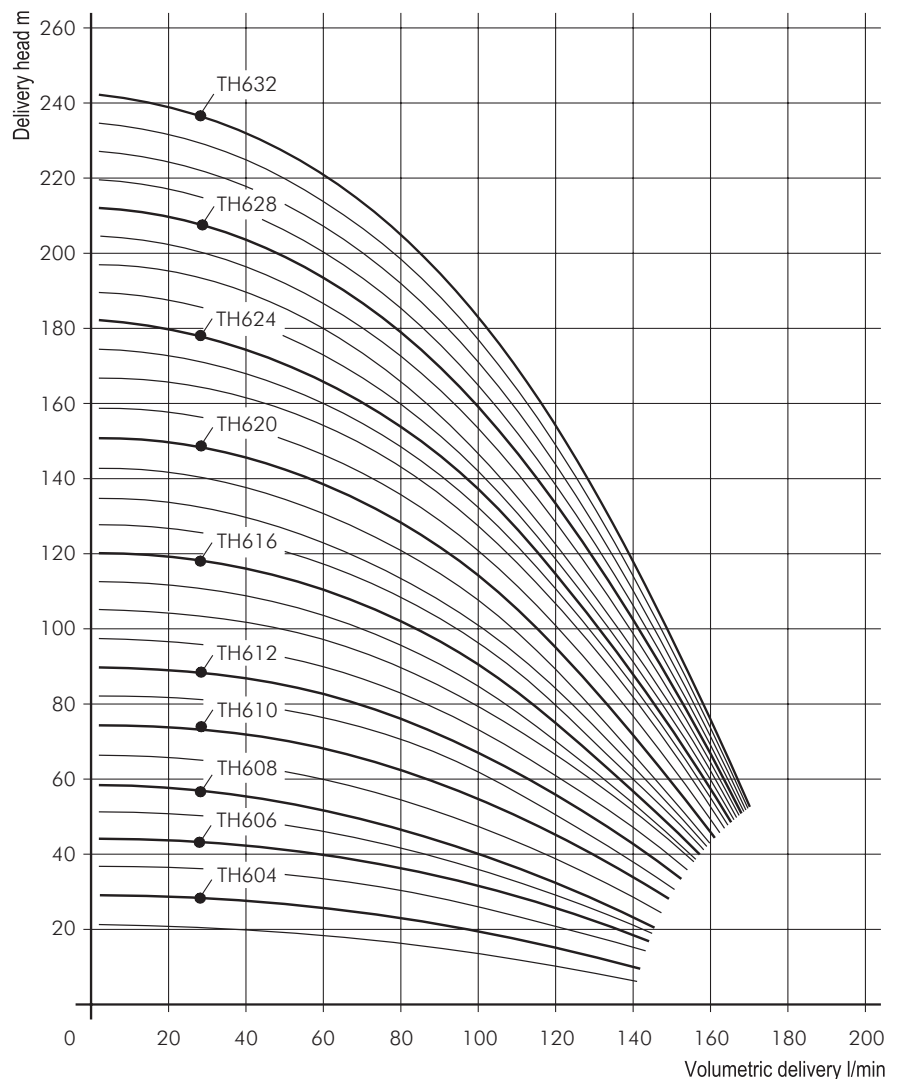
### Applications

Types of fluid  
 water  
 coolants  
 cooling/cutting oils  
 Kinematic viscosity  
 ...25 mm<sup>2</sup>/s (25 cSt)  
 Pumping temperature  
 0...80° C

**50 Hz**

### Construction

Pump body	cast iron
Cover	cast iron
Impellers	CrNi-steel
Shaft	CrNi-steel
Diffusers	CrNi-steel
Mechanical seal	SiC
O-rings	Viton
Optional:	
Pole-changing motor	4 - 2 poles
Pump body	bronze
Cover	bronze
Noise level	
(S)TH603...(S)TH608	58 dBA
(S)TH609...(S)TH618	63 dBA
(S)TH619...(S)TH632	71 dBA



Pumps & Equipment (Warwick) Ltd. 6 Collins Road Heathcote Industrial Estate, Warwick CV34 6TF  
 Telephone: 01926 451744 | Fax: 01926 451284 | [www.pumps-equip.co.uk](http://www.pumps-equip.co.uk)