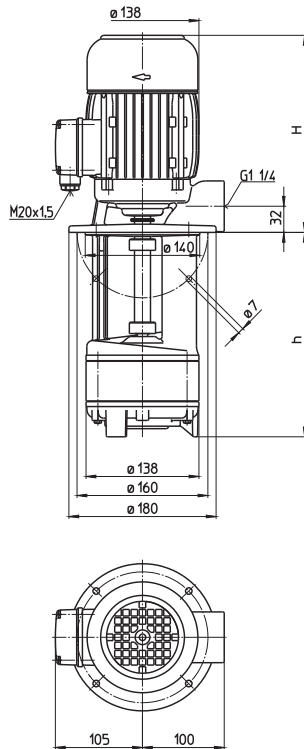
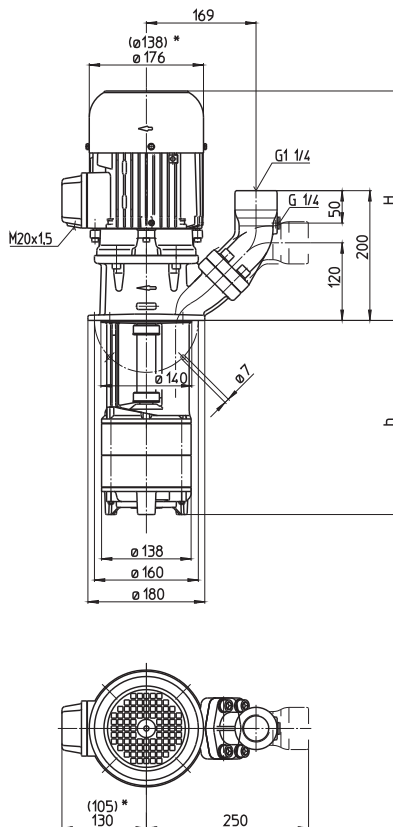


TA302



STA301...306



*) Dimensions for STA301, 302

Type	Vol. del. at manom. del. head l/min /m	Height H mm	Depth of im- mersion h mm	Weight kg	Power kW	Voltage 3 ~ V	Fre- quency Hz	Rated current A	Speed 1/min
TA302/170	160/12	261	170	16.5	1.1	220-240 380-420 460	50 50 60	5.0 2.9 2.9	2700 2700 3300
250			250	17.5					
320			320	18.5					
400			400	19.5					
490			490	20.5					
600			600	21.5					
STA301/120	160/7	293	120	13	0.54	220-240 380-420 460	50 50 60	2.42 1.40 1.40	2800 2800 3300
200			200	14					
270			270	15					
350			350	16					
440			440	17					
550			550	18					
STA302/170	160/12	331	170	20	1.1	220-240 380-420 460	50 50 60	5.0 2.9 2.9	2700 2700 3300
250			250	21					
320			320	22					
400			400	23					
490			490	24					
600			600	25					
STA303/220	160/18	355	220	33	1.5	220-240 380-420 460	50 50 60	6.6 3.8 3.8	2850 2850 3400
300			300	34					
370			370	35					
450			450	36					
540			540	37					
650			650	38					
850			850	40					
1000			1000	41					
STA304/270	160/24	395	270	40	1.9	220-240 380-420 460	50 50 60	8.5 4.9 4.9	2850 2850 3400
350			350	41					
420			420	42					
500			500	43					
590			590	44					
700			700	45					
900			900	47					
1050			1050	48					
STA305/320	160/29	395	320	43	2.2	220-240 380-420 460	50 50 60	9.2 5.3 5.3	2850 2850 3400
400			400	44					
470			470	45					
550			550	46					
640			640	47					
750			750	48					
950			950	50					
1100			1100	51					
STA306/370	160/37	405	370	48	2.6	220-240 380-420 460	50 50 60	10.9 6.3 6.3	2850 2850 3400
450			450	49					
520			520	50					
600			600	51					
690			690	53					
800			800	54					
1000			1000	55					

Immersion Pumps

are plain centrifugal pumps with the impeller fitted on the driving shaft extension. They are mounted on top of the container, the pump extension being immersed in the coolant.

The maximum coolant level must stay a few mm/inches below the mounting flange.

The STA serie offers a **(SAE) flange** with pressure gauge connection port.

The flange can be rotated for either horizontal or vertical pipe connections.



All types are also available as quick-suctioning immersion pumps equipped with **"BRINKMANN's Suction De-aeration System"**. See series TAL/SAL.



All types are also available as suction immersion pump with a connection to the vacuum filters on the suction side. See series STS.



Applications

Types of fluid
coolants
cooling/cutting oils
Kinematic viscosity
...90 mm²/s (90 cSt)
Pumping temperature
0...80° C
0...60° C (TA302)
higher temperatures upon request

Construction

Pump body	cast iron
Cover	cast iron POM (TA302)
Impellers	brass POM (TA302) steel
Shaft	
Optional:	
Suction cover	with threaded inlet
Impeller	cast steel
Other materials	on request
Noise level	
TA302...STA302	60 dBA
STA303...STA306	66 dBA

