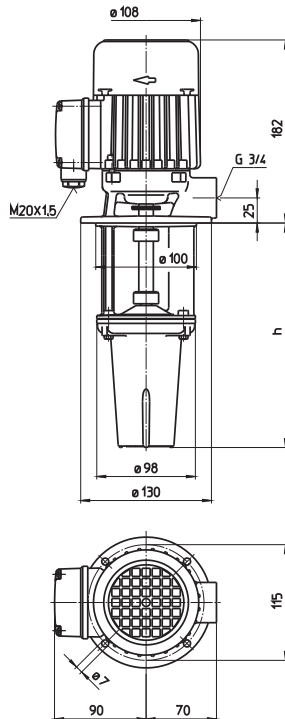
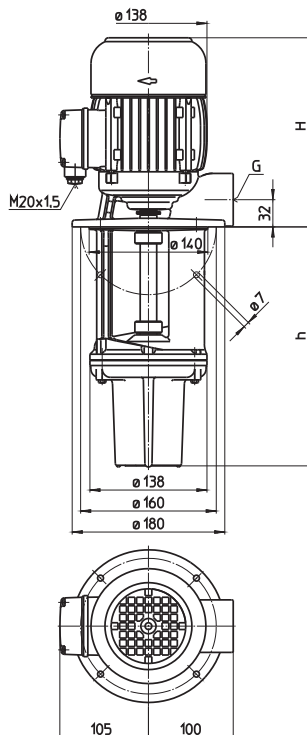


## TAA70



## TAA140, 280



Type	Vol. del. at manom. del. head l/min /m	Height H mm	Depth of immersion h mm	Pipe connection G	Weight kg	Power kW	Voltage 3 ~ V	Fre- quency Hz	Rated current A	Speed 1/min
<b>TAA70/200</b>	90/2	182	200	G 3/4	8.5	0.22	220-240	50	0.95	2700
<b>230</b>			230		9.0		380-420	50	0.55	2700
<b>280</b>			280		9.5		460	60	0.55	3200
<b>330</b>			330		10.0					
<b>TAA140/200</b>	180/2	223	200	G 1 1/4	14	0.42	220-240	50	1.4	2800
<b>280</b>			280		15		380-420	50	0.8	2800
<b>350</b>			350		16		460	60	0.8	3300
<b>TAA280/200</b>	360/2	241	200	G 1 1/2	16	0.92	220-240	50	4.7	2700
<b>280</b>			280		17		380-420	50	2.7	2700
<b>350</b>			350		18		460	60	2.7	3300

# Lifting pumps

## Axial impellers

# TAA70-280

### Lifting Pumps

series TAA gently pump foam-sensitive cooling lubricants (emulsions or cooling and cutting oils) or highly inflated cooling lubricants such as occur with a high degree of machining in lathing, milling or grinding.

### Applications

Types of fluid  
coolants  
cooling/cutting oils  
Kinematic viscosity  
...90 mm<sup>2</sup>/s (90 cSt)  
Pumping temperature  
0...60° C

### Construction

Pump body	cast iron
Cover	cast iron
Impellers	cast iron
Shaft	steel
Noise level	
TAA70	57 dBA
TAA140...TAA280	62 dBA

