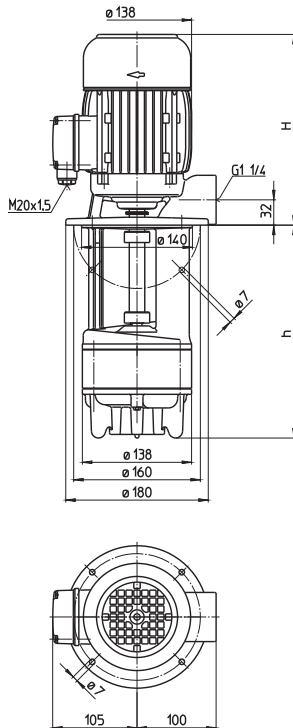


# Quick suctioning immersion pumps

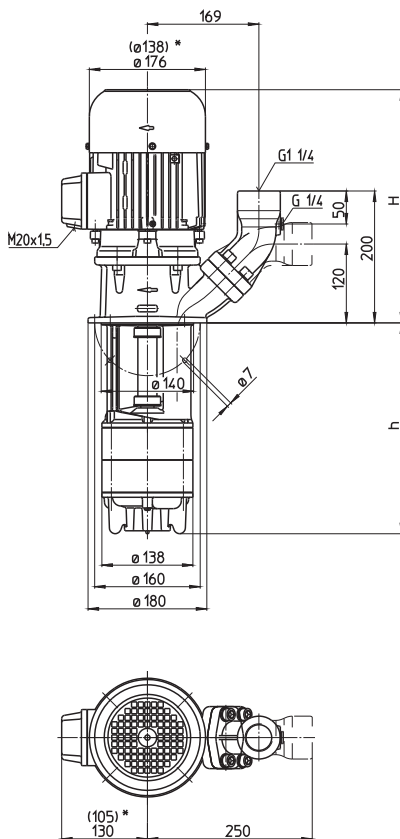
# TAL/SAL301-306

## Axial/semi-open impellers

### TAL302



### SAL301...306



\*) Dimensions for SAL301, 302

Type	Vol. del. at manom. del. head l/min /m	Height H mm	Depth of immersion h mm	Weight kg	Power kW	Voltage 3 ~ V	Fre- quency Hz	Rated current A	Speed 1/min
<b>TAL302/190</b>	160/12	261	190	18.5	1.1	220-240 380-420 460	50 50 60	5.0 2.9 2.9	2700 2700 3300
<b>270</b>			270	19.5					
<b>340</b>			340	20.5					
<b>420</b>			420	21.5					
<b>510</b>			510	22.5					
<b>620</b>			620	23.5					
<b>SAL301/140</b>	160/7	293	140	13.5	0.54	220-240 380-420 460	50 50 60	2.42 1.40 1.40	2800 2800 3300
<b>220</b>			220	14.5					
<b>290</b>			290	15.5					
<b>370</b>			370	16.5					
<b>460</b>			460	17.5					
<b>570</b>			570	18.5					
<b>SAL302/190</b>	160/12	331	190	21	1.1	220-240 380-420 460	50 50 60	5.0 2.9 2.9	2700 2700 3300
<b>270</b>			270	22					
<b>340</b>			340	23					
<b>420</b>			420	24					
<b>510</b>			510	25					
<b>620</b>			620	26					
<b>SAL303/240</b>	160/18	355	240	35	1.5	220-240 380-420 460	50 50 60	6.6 3.8 3.8	2850 2850 3400
<b>320</b>			320	36					
<b>390</b>			390	37					
<b>470</b>			470	38					
<b>560</b>			560	39					
<b>670</b>			670	40					
<b>870</b>			870	42					
<b>1020</b>			1020	43					
<b>SAL304/290</b>	160/24	395	290	42	1.9	220-240 380-420 460	50 50 60	8.5 4.9 4.9	2850 2850 3400
<b>370</b>			370	43					
<b>440</b>			440	44					
<b>520</b>			520	45					
<b>610</b>			610	46					
<b>720</b>			720	47					
<b>920</b>			920	49					
<b>1070</b>			1070	50					
<b>SAL305/340</b>	160/29	395	340	45	2.2	220-240 380-420 460	50 50 60	9.2 5.3 5.3	2850 2850 3400
<b>420</b>			420	46					
<b>490</b>			490	47					
<b>570</b>			570	48					
<b>660</b>			660	49					
<b>770</b>			770	50					
<b>970</b>			970	52					
<b>1120</b>			1120	53					
<b>SAL306/390</b>	160/37	405	390	50	2.6	220-240 380-420 460	50 50 60	10.9 6.3 6.3	2850 2850 3400
<b>470</b>			470	51					
<b>540</b>			540	52					
<b>620</b>			620	53					
<b>710</b>			710	55					
<b>820</b>			820	56					
<b>1020</b>			1020	57					



# Quick suctioning immersion pumps

## Axial/semi-open impellers

# TAL/SAL301-306

### Quick Suctioning Immersion Pumps

equipped with the patented "BRINK-MANN's Suction De-aeration System" are excellently suited to pumping **extremely inflated fluids** (emulsions resp. cooling/cutting oils) as they occur in heavy cutting when turning, milling or grinding. The quick suctioning immersion pumps reach stable working conditions as soon as the liquid level reaches the suction inlet.

The SAL serie offers a **(SAE) flange** with pressure gauge connection port. The flange can be rotated for either horizontal or vertical pipe connections.

### Applications

Types of fluid  
 water  
 coolants  
 cooling/cutting oils  
 Kinematic viscosity  
 ...90 mm<sup>2</sup>/s (90 cSt)  
 Pumping temperature  
 0...80° C

### Construction

Pump body	cast iron
Cover	cast iron
Impeller axial	cast steel
Impeller radial	brass
Shaft	steel
Optional: Impeller radial	cast steel

