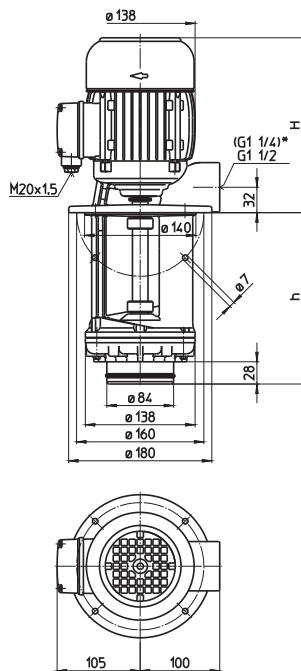
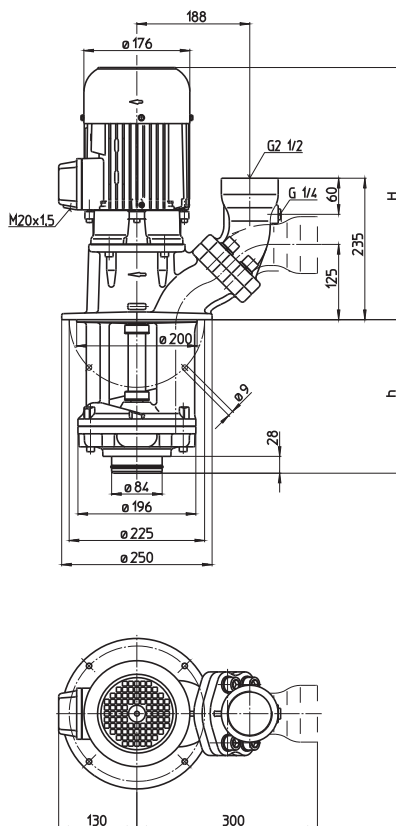


TAS301, 401 TAS601



STS1001



*) Dimensions for TAS301

Type	Vol. del. at manom. del. head l/min /m	Height H mm	Depth of im- mersion h mm	Weight kg	Power kW	Voltage 3 ~ V	Fre- quency Hz	Rated current A	Speed 1/min
TAS301/140	200/5	223	136	12.5	0.55	220-240 380-420 460	50 50 60	2.50 1.45 1.45	2750 2750 3250
220			216	13.0					
290			286	13.5					
370			366	14.0					
460			456	16.0					
570			566	17.5					
TAS401/140	250/5	241	136	13.5	0.85	220-240 380-420 460	50 50 60	4.3 2.5 2.5	2800 2800 3300
220			216	14.5					
290			286	15.5					
370			366	16.5					
460			456	17.5					
570			566	18.5					
TAS601/150	400/4	241	144	14.0	0.92	220-240 380-420 460	50 50 60	4.7 2.7 2.7	2700 2700 3300
230			224	15.5					
300			294	16.5					
380			374	17.5					
470			464	18.5					
580			574	19.5					
STS1001/230	600/14	429	216	51	2.6	220-240 380-420 460	50 50 60	10.9 6.3 6.3	2850 2850 3400
330			316	53					
460			446	55					
580			566	58					
780			766	63					
1010			996	70					



Suction immersion pumps

Axial/semi-open impellers

TAS/STS301-1001

Suction Immersion Pumps

series **TAS/STS** make it possible to **connect to vacuum filters** through their simple connection on the suction side (for instance, with a slot screen).

Suction immersion pumps without seals are positioned in the area of unfiltered coolant in the tank.

With their robust design, they allow operating pressures of - 0.3 bar to - 0.5 bar on the suction side.

The STS serie offers a **flange** with pressure gauge connection port.

The flange can be rotated for either horizontal or vertical pipe connections.



All types specified are also available as multistage pumps e.g. STS304/610. See series TA/STA.

Applications

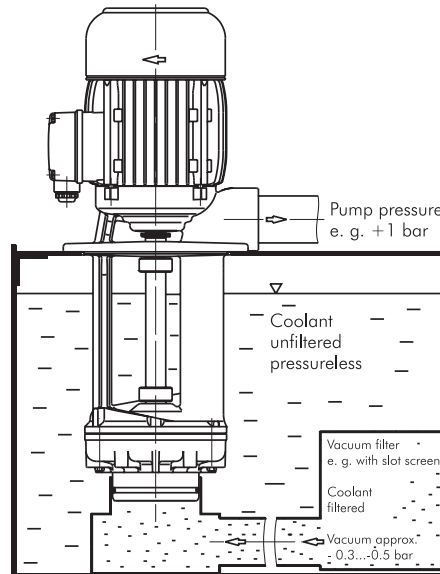
Types of fluid
 water
 coolants
 cooling/cutting oils
 Kinematic viscosity
 ...45 mm²/s (45 cSt)
 Pumping temperature
 0...60° C

Construction

Pump body	cast iron
Cover	cast iron
Impeller axial	cast steel
Impeller radial	brass
	cast steel (STS1001)
Shaft	steel
Optional: Impeller radial	cast steel (TAS301...TAS601)

Noise level

TAS301	60 dBA
TAS401...TAS601	62 dBA
STS1001	63 dBA



Suction connection

Intake cover cast iron
 with O-Ring 78 x 4 mm Viton

for
 Connecting pipe
 86,0...86,8 mm inner-Ø

