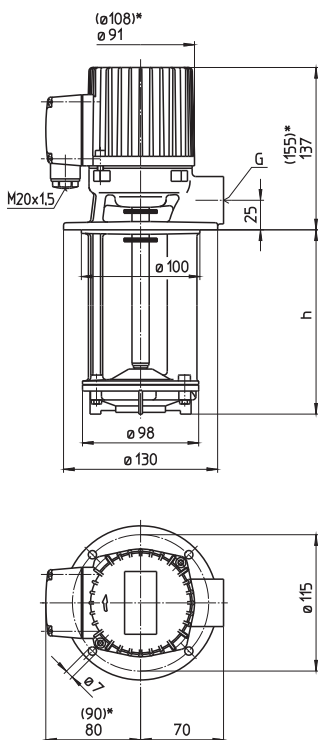


Immersion pumps semi-open impellers

TB16, 25, 40, 63, 100



TB16, 25, 40 TB63, 100



*) Dimensions for TB63, TB100

Immersion Pumps are plain centrifugal pumps with the impeller fitted on the driving shaft extension. They are mounted on top of the container, the pump extension being immersed in the coolant. The dimensions are based on standard specification **EN 12157**. The maximum coolant level must stay a few mm/inches below the mounting flange.

Applications

Types of fluid
 » coolants
 » cooling/cutting oils
 » other fluids on request
 Kinematic viscosity
 » 90 mm²/s (90 cSt)
 Pumping temperature
 » 0...60° C

Optional:
 These models are also available with **single phase motor**.

Construction

Pump body	cast iron
Cover	POM
Impeller	POM
Shaft	steel
Optional:	
Cover	cast iron cast iron with thread
Impeller	brass cast iron
Noise level	
TB16...TB10	45 dBA

Type	Vol. del. at manom. del. head l/min / m	Depth of immersion h mm	Pipe connection G	Weight kg	Power kW	Voltage 3~ V	Frequency Hz	Rated current A	Speed 1/min
TB16/90	16/2	90	G ½	4.1	0.07	220-240 380-420 460	50 50 60	0.35 0.20 0.20	2800 2800 3300
120		115		4.3					
170		165		4.6					
220		215		4.9					
TB25/90	30/2	90	G ½	4.2	0.1	220-240 380-420 460	50 50 60	0.38 0.22 0.22	2700 2700 3200
120		115		4.4					
170		165		4.6					
220		215		5.0					
270		265	G ¾	5.5					
350		345		6.1					
TB40/90	50/2	95	G ¾	4.3	0.12	220-240 380-420 460	50 50 60	0.44 0.25 0.25	2700 2700 3200
120		120		4.5					
170		170		4.7					
220		220		5.1					
270		270		5.6					
350		350		6.2					
TB63/90	75/2	105	G ¾	4.8	0.21	220-240 380-420 460	50 50 60	0.71 0.41 0.41	2800 2800 3300
120		130		5.1					
170		180		5.5					
220		230		5.8					
270		280		6.1					
350		360		6.9					
TB100/120	100/2	130	G ¾	5.2	0.24	220-240 380-420 460	50 50 60	0.76 0.44 0.44	2750 2750 3250
170		180		5.6					
220		230		5.9					
270		280		6.2					
350		360		7.0					

