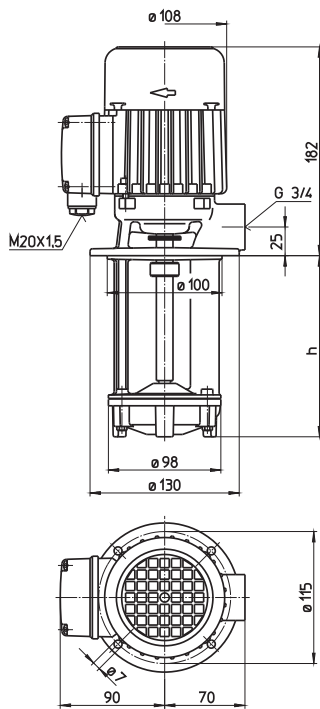


TB40-M, TB63-M TB100-M



Type	Vol. del. at manom. del. head l/min /m	Depth of immersion h mm	Weight kg	Power kW	Voltage 3 ~ V	Fre- quency Hz	Rated current A	Speed 1/min
TB40/120-M	40/2	120	4.6	0.14	220-240	50	0.71	2700
170-M		170	5.1					
220-M		220	5.5		380-420	50	0.41	2700
270-M		270	6.0					
350-M		350	6.9					
TB63/120-M	63/2	130	4.9	0.14	220-240	50	0.71	2700
170-M		180	5.3					
220-M		230	5.7		380-420	50	0.41	2700
270-M		280	6.2					
350-M		360	7.1					
TB100/120-M	75/2	130	5.3	0.22	220-240	50	0.95	2700
170-M		180	5.8					
220-M		230	6.2		380-420	50	0.55	2700
270-M		280	6.7					
350-M		360	7.4					

Immersion pumps

Semi-open impellers

TB40M-100M

Immersion Pumps

are plain centrifugal pumps with the impeller fitted on the driving shaft extension. They are mounted on top of the container, the pump extension being immersed in the coolant.

The dimensions are based on standard specification **EN 12157**.

The maximum coolant level must stay a few mm/inches below the mounting flange.

Applications

Types of fluid
freezing medium, cooling oils
other fluids on request

Kinematic viscosity
...90 mm²/s (90 cSt)

Pumping temperature

Construction

Pump body	cast iron
Cover	cast iron
Impeller	brass
Shaft	steel
Optional:	
Cover	cast iron with thread
Impeller	cast iron

On request:
All parts having contact with the fluid are made of bronze.

Optional:
The models of TB...-M are also available with **single phase motor**.

Noise level
TB40-M...TB100-M 54 dBA

